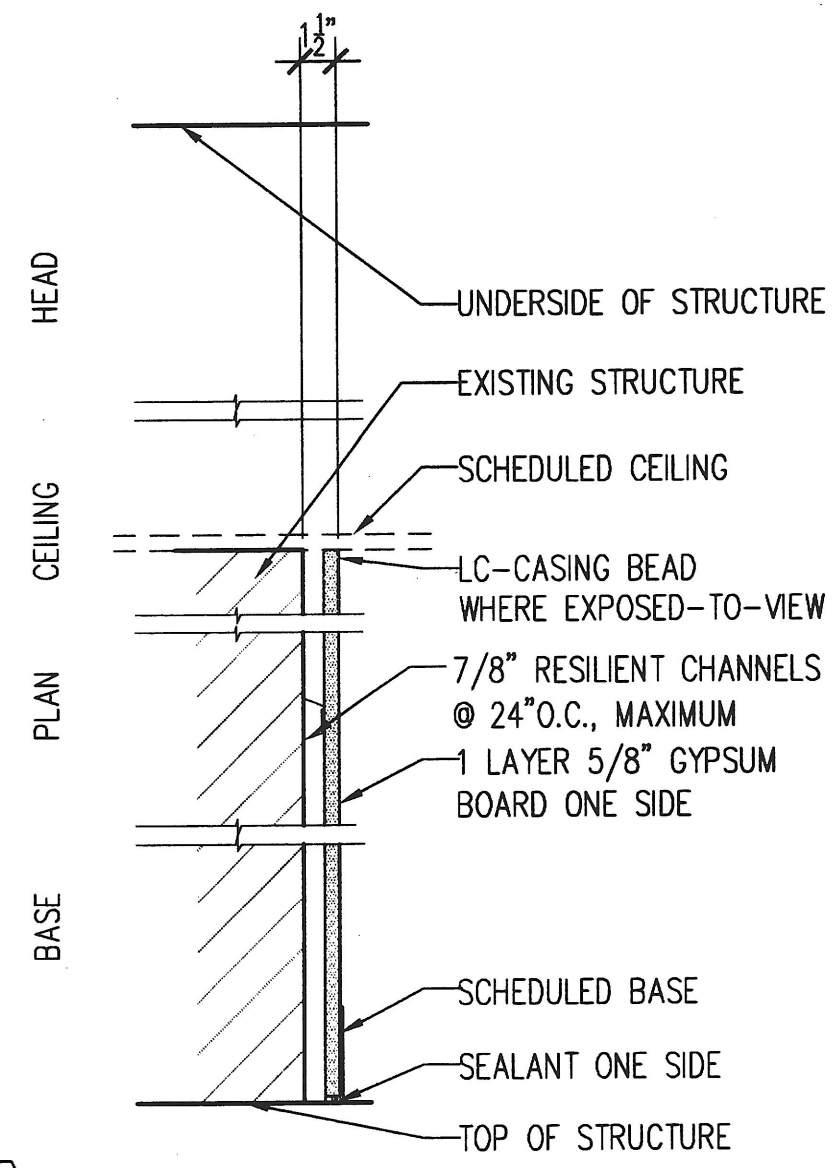
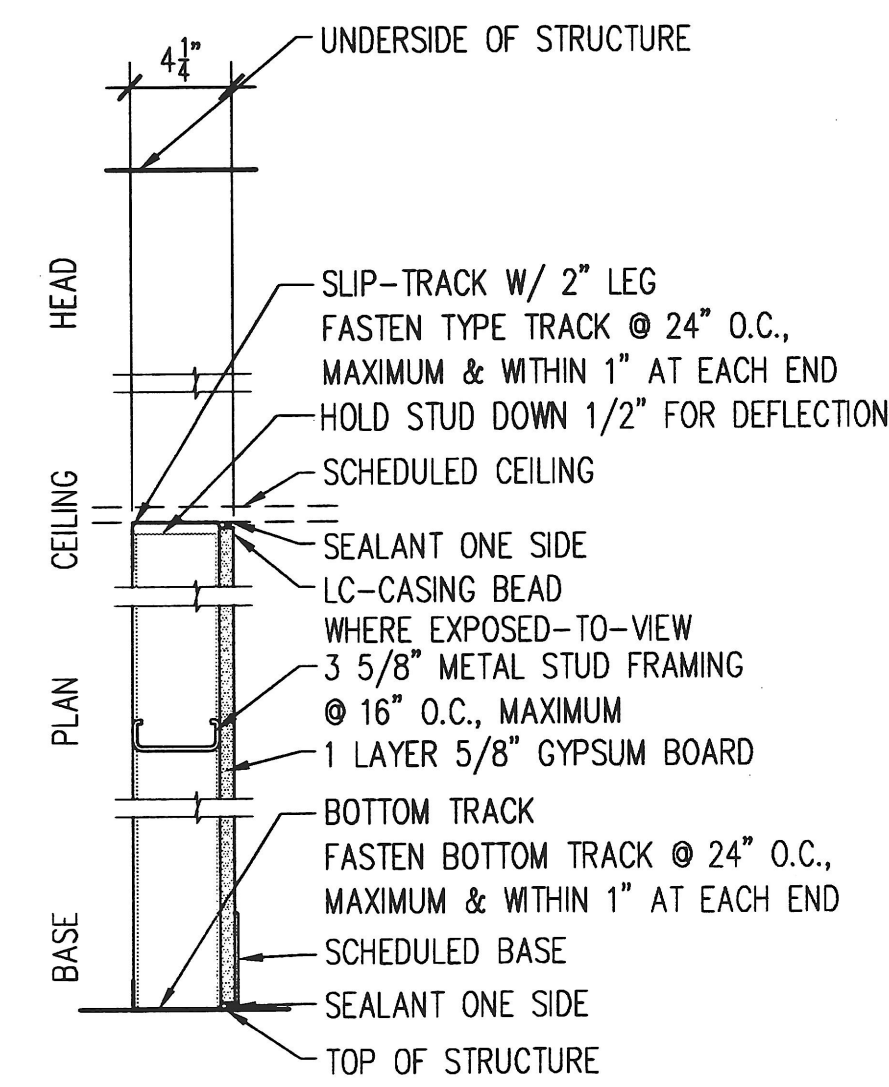


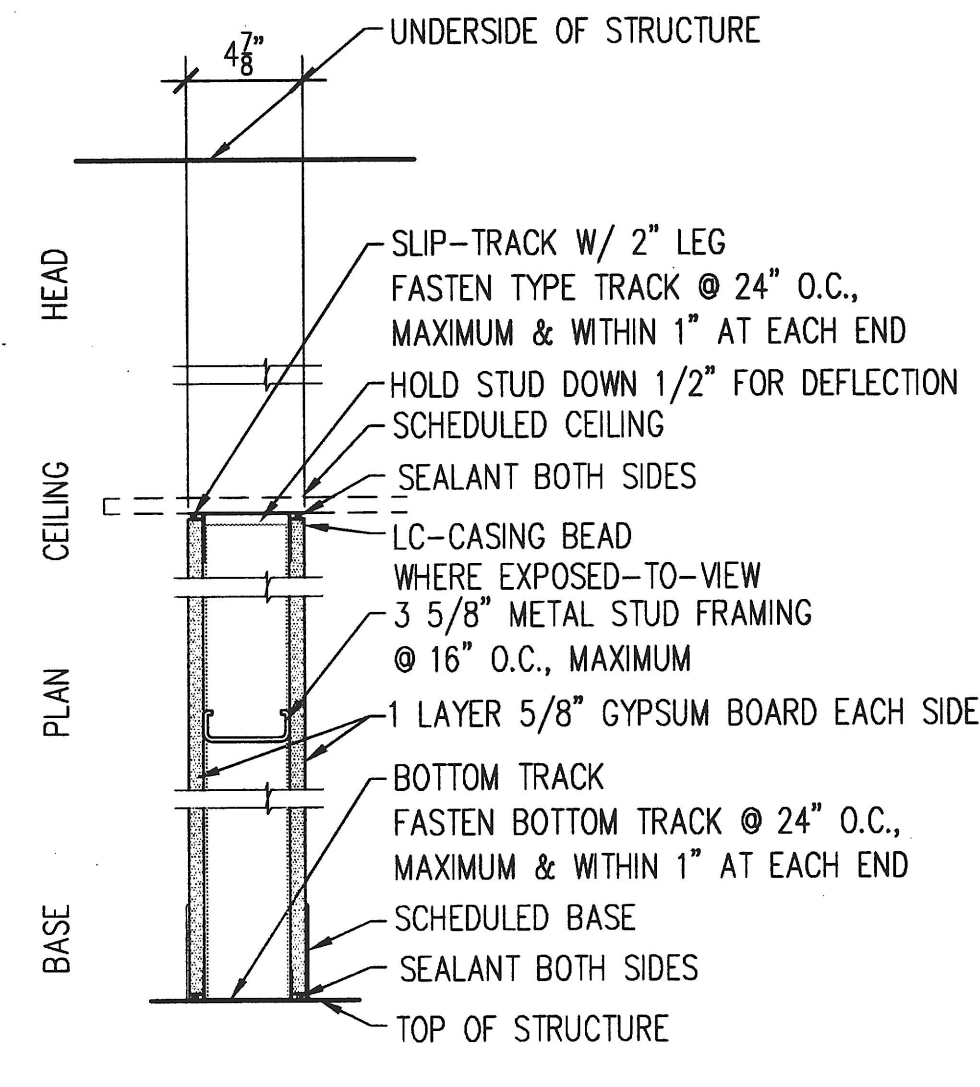
PARTITION SCHEDULE



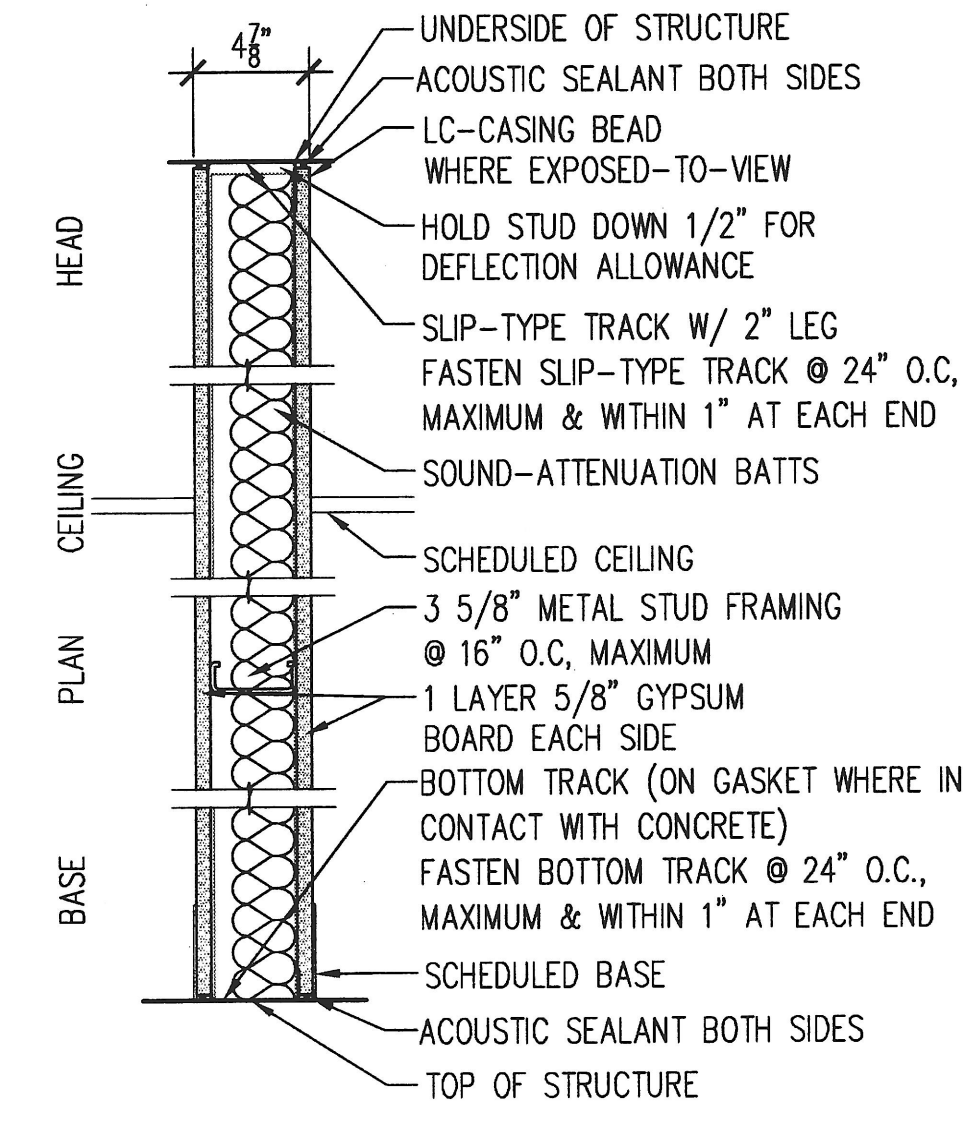
S01 7/8" FURRING CHANNEL / FINISH ONE SIDE
NO ACOUSTICAL RATING
SCALE: 1/4" = 1'-0"



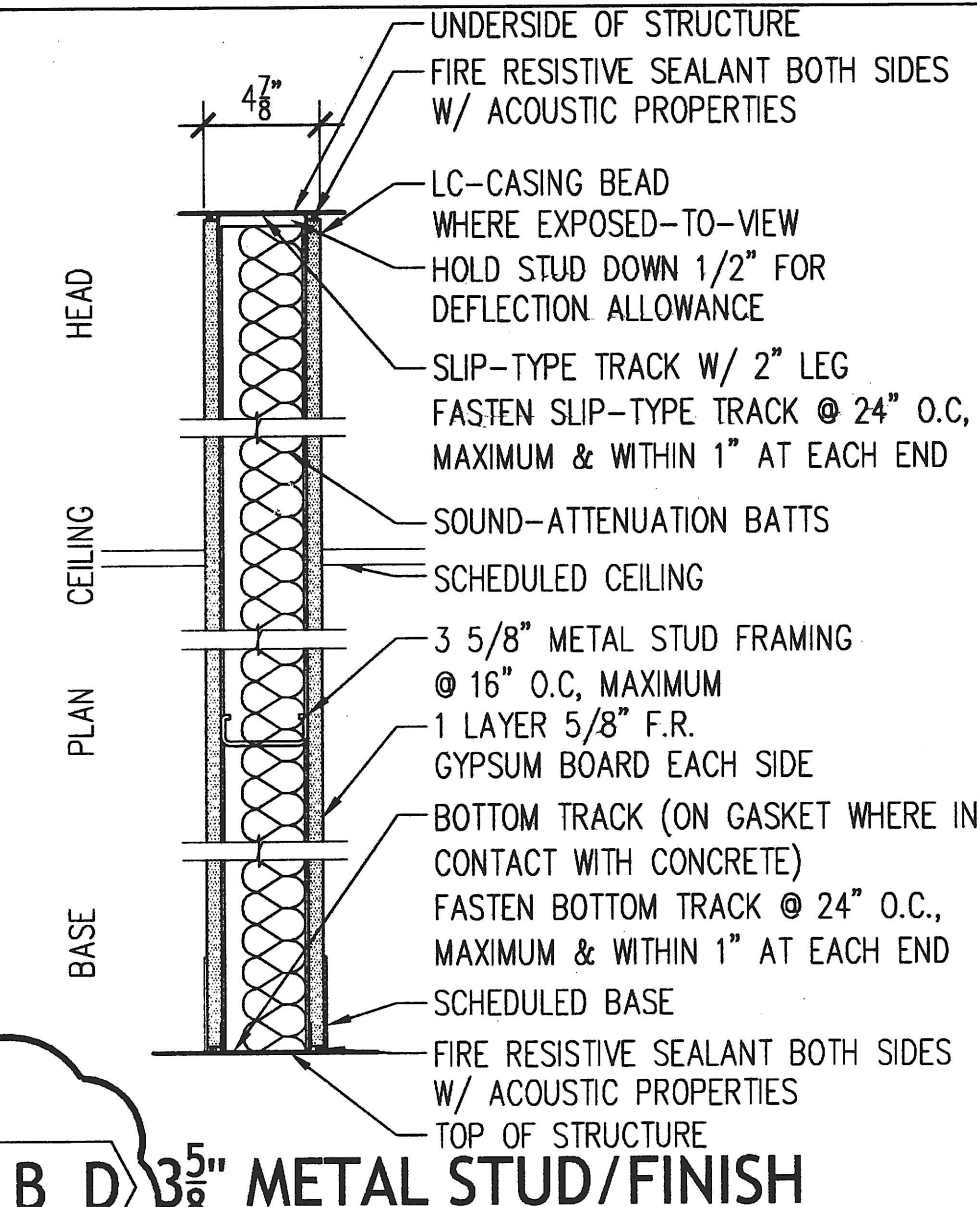
X01 3 5/8" METAL STUD / FINISH ONE SIDE
NON LOAD-BEARING
NO FIRE RESISTANCE RATING
NO ACOUSTIC RATING
SCALE: 1/4" = 1'-0"



X06 3 5/8" METAL STUD / FINISH TWO SIDES
NON LOAD-BEARING
NO FIRE RESISTANCE RATING
NO ACOUSTIC RATING
SCALE: 1/4" = 1'-0"



X06B 3 5/8" METAL STUD/FINISH TWO-SIDES
NON LOAD-BEARING
NO FIRE RESISTANCE RATING
ACOUSTIC RATING STC
SCALE: 1/4" = 1'-0"



X11 B D 3 5/8" METAL STUD/FINISH TWO-SIDES
NON LOAD-BEARING
[1HR] FIRE RESISTANCE RATING-INCLUDE UL ASSEMBLY #J419
ACOUSTIC RATING STC
SCALE: 1/4" = 1'-0"

NOTE:
1. DO NOT USE IF ELECTRIC OR PLUMBING IS NEEDED IN WALL.

SCHEDULES

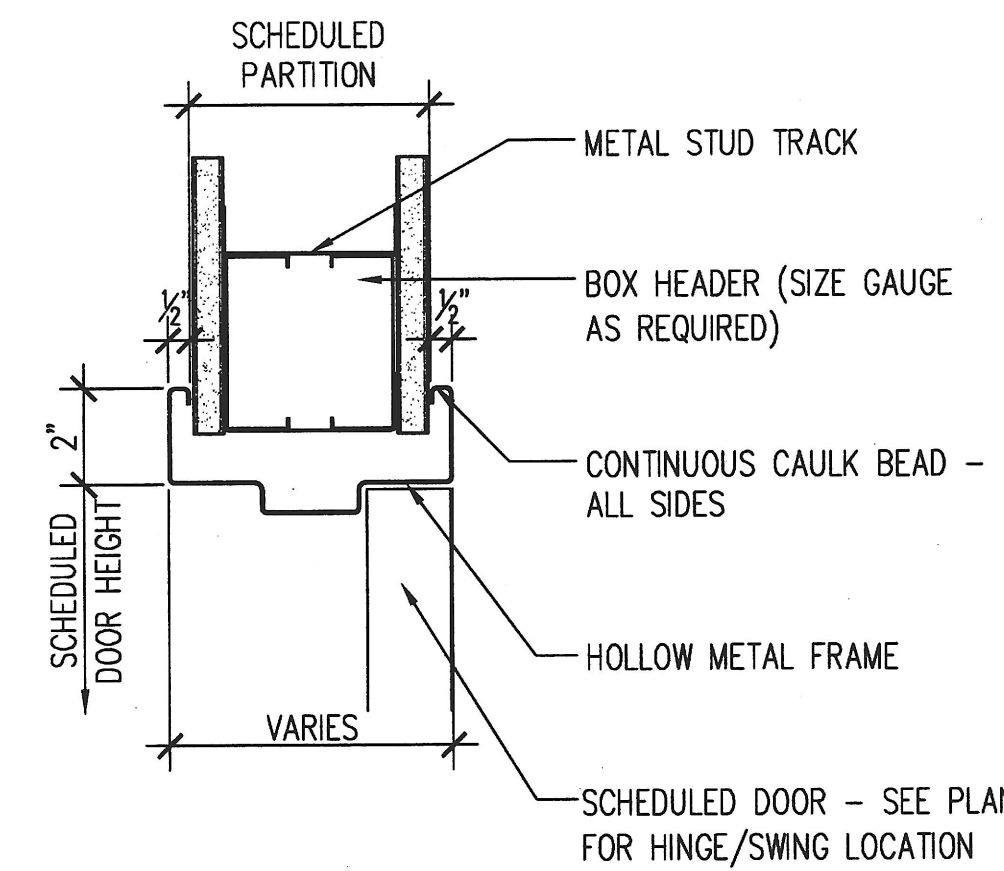
DOOR SCHEDULE										
DOOR NUMBER	LOCATION	WIDTH	HEIGHT	MAT. FINISH	FRAME	HEAD	JAMB	FINISH	HARDWARE SET #	REMARKS
01-01	CONFERENCE	3'-0"	6'-8"	HCW	HM	H1	J1	PTD	03	*REUSE AN EXISTING DOOR
02-01	OFFICE	3'-0"	6'-8"	*	HM			PTD	01	*REUSE AN EXISTING DOOR
04-01	OFFICE	3'-0"	6'-8"	*	HM			PTD	01	*REUSE AN EXISTING DOOR
05-01	OFFICE	3'-0"	6'-8"	*	HM			PTD	01	*REUSE AN EXISTING DOOR
06-01	OFFICE	3'-0"	6'-8"	*	HM			PTD	01	*REUSE AN EXISTING DOOR
07-01	OFFICE	3'-0"	6'-8"	*	HM			PTD	01	*REUSE AN EXISTING DOOR
08-01	OFFICE	3'-0"	6'-8"	*	HM			PTD	01	*REUSE AN EXISTING DOOR
09-01	OFFICE	3'-0"	6'-8"	*	HM			PTD	01	*REUSE AN EXISTING DOOR
10-01	OFFICE	3'-0"	6'-8"	*	HM			PTD	01	*REUSE AN EXISTING DOOR
11-01	OFFICE	3'-0"	6'-8"	*	HM			PTD	01	*REUSE AN EXISTING DOOR
12-01	OFFICE	3'-0"	6'-8"	*	HM			PTD	01	*REUSE AN EXISTING DOOR
13-01	OFFICE	3'-0"	6'-8"	*	HM			PTD	01	*REUSE AN EXISTING DOOR
14-01	OFFICE	3'-0"	6'-8"	*	HM			PTD	01	*REUSE AN EXISTING DOOR
15-01	OFFICE	3'-0"	6'-8"	*	HM			PTD	01	*REUSE AN EXISTING DOOR
16-01	OFFICE	3'-0"	6'-8"	*	HM			PTD	01	*REUSE AN EXISTING DOOR
17-01	OFFICE	3'-0"	6'-8"	*	HM			PTD	01	*REUSE AN EXISTING DOOR
18-01	OFFICE	3'-0"	6'-8"	*	HM			PTD	01	*REUSE AN EXISTING DOOR
19-01	OFFICE	3'-0"	6'-8"	*	HM			PTD	01	*REUSE AN EXISTING DOOR
20-01	OFFICE	3'-0"	6'-8"	*	HM			PTD	01	*REUSE AN EXISTING DOOR
21-01	OFFICE	3'-0"	6'-8"	*	HM			PTD	01	*REUSE AN EXISTING DOOR
22-01	OFFICE	3'-0"	6'-8"	*	HM			PTD	01	*REUSE AN EXISTING DOOR
23-01	OFFICE	3'-0"	6'-8"	*	HM			PTD	01	*REUSE AN EXISTING DOOR
24-01	OFFICE	3'-0"	6'-8"	*	HM			PTD	01	*REUSE AN EXISTING DOOR
25-01	OFFICE	3'-0"	6'-8"	*	HM			PTD	01	*REUSE AN EXISTING DOOR
26-01	LUNCH ROOM	3'-0"	6'-8"	*	HM			PTD	03	*REUSE AN EXISTING DOOR
26-02	LUNCH ROOM	3'-0"	6'-8"	*	HM			PTD	03	*REUSE AN EXISTING DOOR
27-01	CONFERENCE	3'-0"	6'-8"	*	HM			PTD	03	*REUSE AN EXISTING DOOR
28-01	CONFERENCE	3'-0"	6'-8"	*	HM			PTD	03	*REUSE AN EXISTING DOOR
29-01	CONFERENCE	3'-0"	6'-8"	*	HM			PTD	03	*REUSE AN EXISTING DOOR
30-01	CONFERENCE	3'-0"	6'-8"	*	HM			PTD	03	*REUSE AN EXISTING DOOR
31-01	MULTI PURPOSE	3'-0"	6'-8"	HCW	HM	H1	J1	PTD	03	
31-02	MULTI PURPOSE	3'-0"	6'-8"	HCW	HM	H1	J1	PTD	03	
32-01	MENS LOCKER	3'-0"	6'-8"	HCW	HM	H1	J1	PTD	02	
32-02	MENS LOCKER	3'-0"	6'-8"	HCW	HM	H2	J1	PTD	-	CASED OPENING
33-01	WOMENS LOCKER	3'-0"	6'-8"	HCW	HM	H1	J1	PTD	02	
33-02	WOMENS LOCKER	3'-0"	6'-8"	HCW	HM	H2	J2	PTD	-	CASED OPENING
33b-01	MOTHERING ROOM	3'-0"	6'-8"	HCW	HM	H1	J1	PTD	01	
34-01	T.S. TRAINING	3'-0"	6'-8"	HCW	HM	H1	J1	PTD	01	
33b-01	T.S. ROOM	3'-0" (PR)	6'-8"	HCW	HM	H1	J1	PTD	-	
39-01	MAIL ROOM	3'-0"	6'-8"	HCW	HM	H1	J1	PTD	01	
39-02	MAIL ROOM	3'-0"	6'-8"	HCW	HM	H1	J1	PTD	01	
40-01	CLOSET	3'-0"	6'-8"	HCW	HM	H1	J1	PTD	06	
44-01	SERVICE CORRIDOR	3'-0"	6'-8"	HCW	HM	H1	J1	PTD	06	
47-01	T.S. STORAGE	3'-0" (PR)	6'-8"	HCW	HM	H1	J1	PTD	05	
48-01	LOADING DOCK	3'-0" (PR)	6'-8"	HCW	HM	H1	J1	PTD	05	

** PAINT ALL DOORS & FRAMES THE SAME COLOR AS ADJACENT WALL, U.O.N.

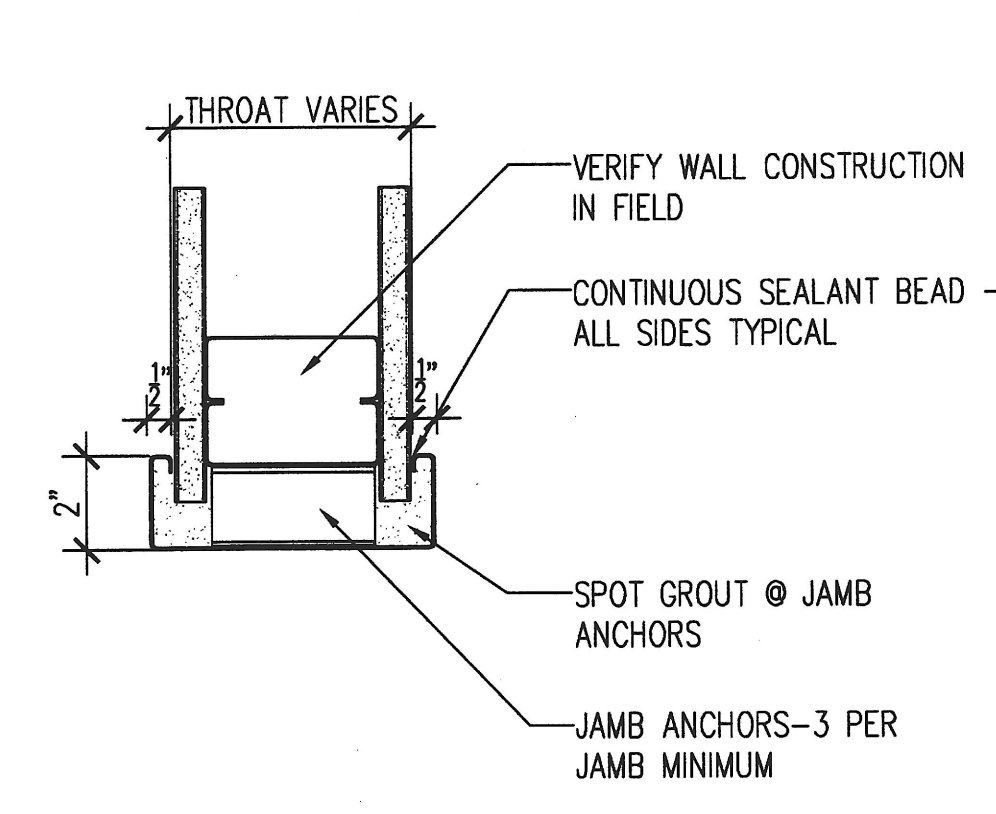
HARDWARE SCHEDULE					
NUMBER	TYPE	SPECIFICATIONS	NUMBER	TYPE	SPECIFICATIONS
01	BUTT HINGES	LOCKSET	05	BUTT HINGES	LOCKSET
	LEVER	LOCKSET		EXIT DEVICE	LOCATE WITHIN ROOM
	SILENCER			CLOSER	RUBBER
	WALL STOP			DOOR SWEEP	
02	BUTT HINGES	PASSAGE SET		SILENCER	BRUSHED ALUMINUM
	LEVER	FULLY CONCEALED		THRESHOLD	
	CLOSER			WALL STOP	
	SILENCER			ASTRAGAL	
	DOOR SWEEP	RUBBER	06	HINGES	LOCKSET
	THRESHOLD	BRUSHED ALUMINUM		LEVER	
	WALL STOP			SILENCER	
03	BUTT HINGES				
	WALL STOP				
	WALL STOP				
	WALL STOP				
04	BARN DOOR HARDWARE	HAFELE PLATEC II, COORDINATE WITH MANUFACTURER			
	RE: ELEV. 2/A400				
	DOOR PULL	FULL HEIGHT - ELMES# T51-01-023, STAINLESS STEEL HAIRLINE			

** ALL HARDWARE TO MATCH BUILDING STANDARD TYPES AND FINISHES

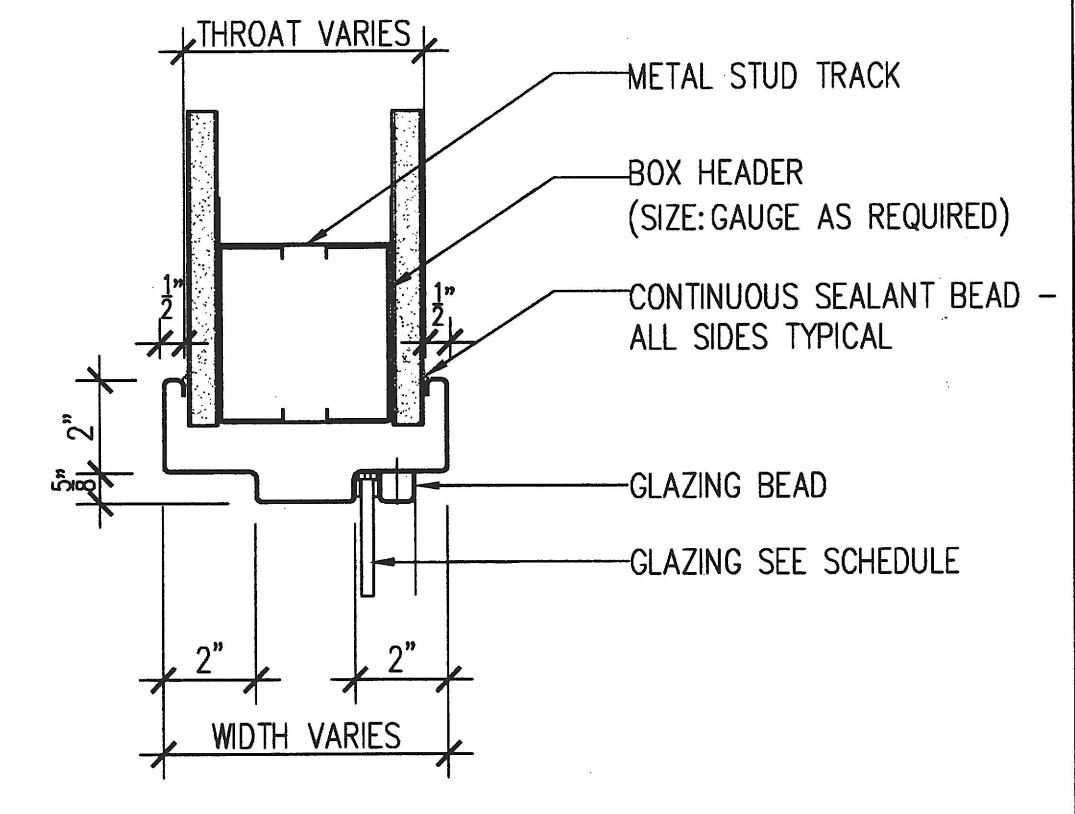
HEAD TYPES



H1 HM DOOR HEAD
SCALE: 3/8" = 1'-0"

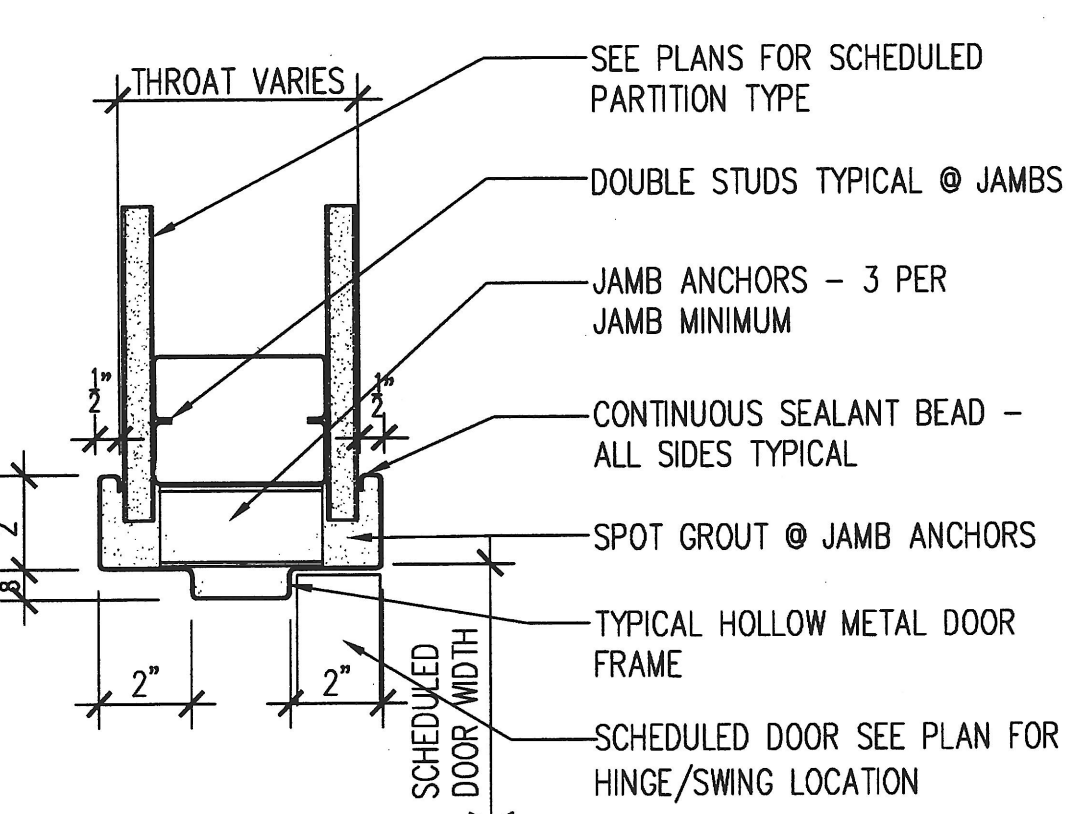


H2 HM HEAD @ FRAMED OPENING
SCALE: 3/8" = 1'-0"

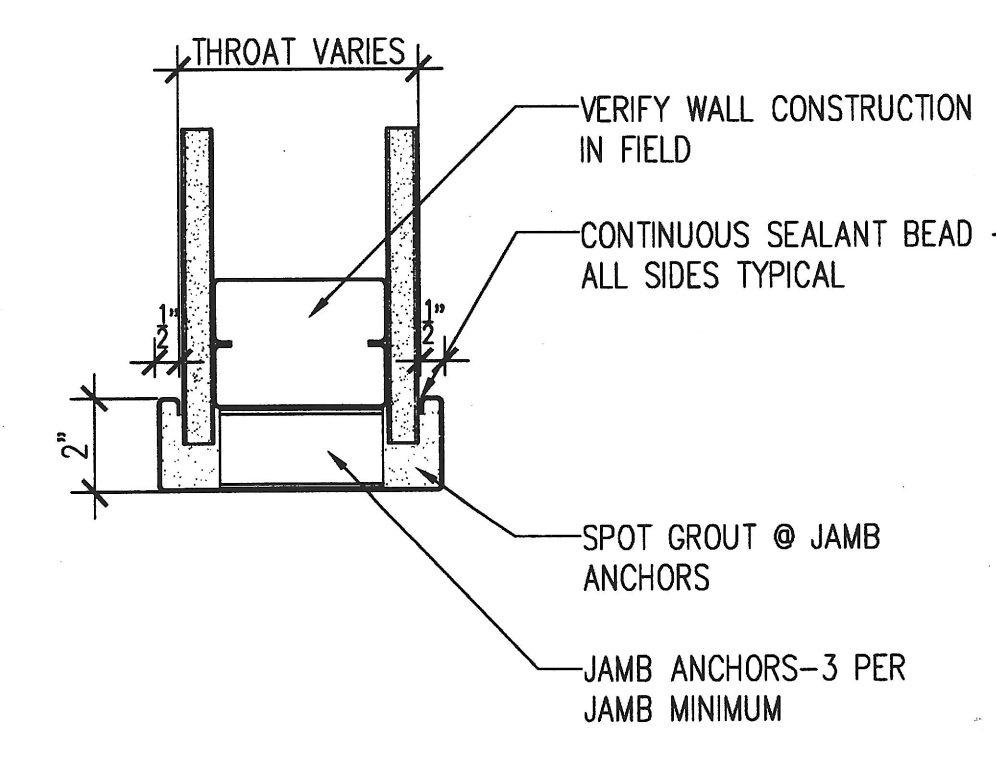


H3 HM HEAD @ BORROWED LITE
SCALE: 3/8" = 1'-0"

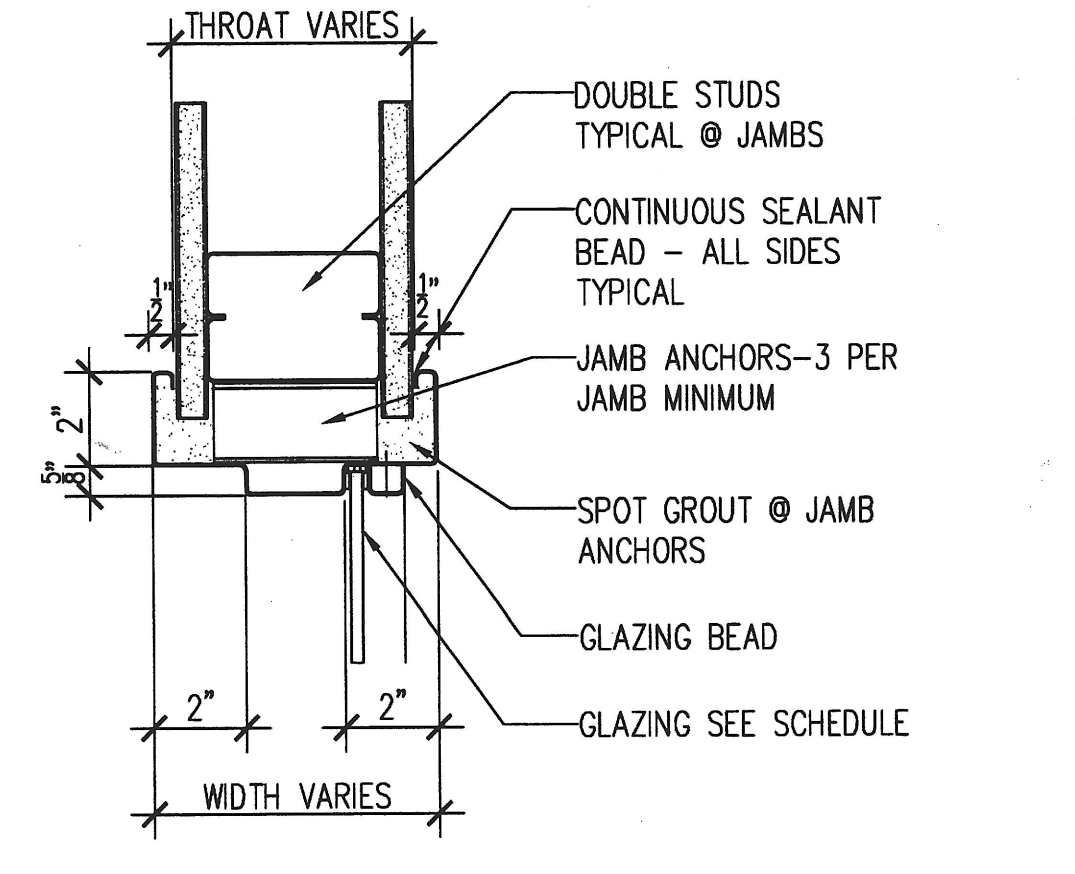
JAMB TYPES



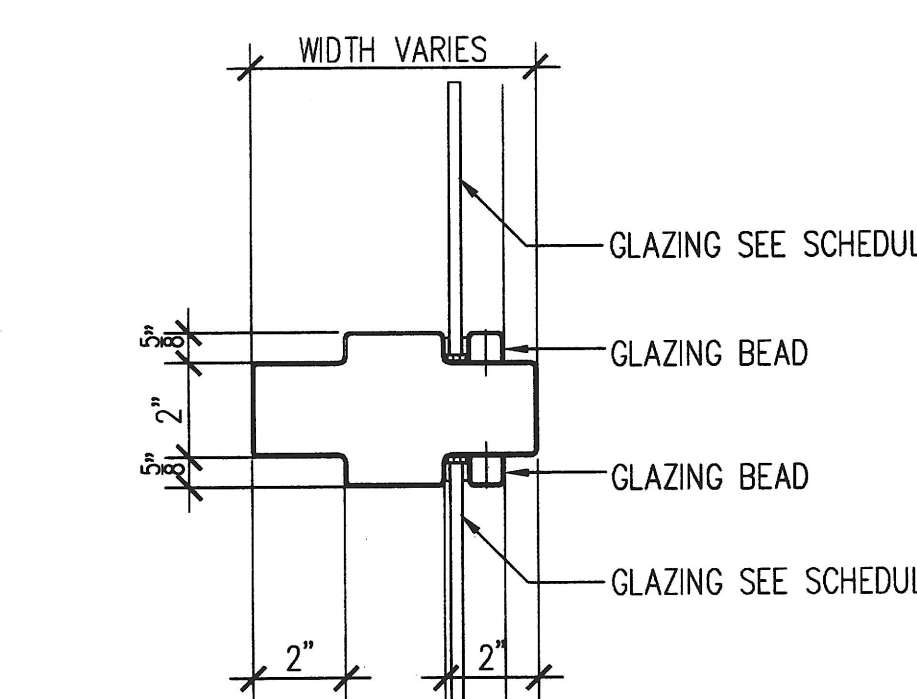
J1 HM DOOR JAMB
SCALE: 3/8" = 1'-0"



J2 HM JAMB @ FRAMED OPENING
SCALE: 3/8" = 1'-0"



J3 HM JAMB @ BORROWED LITE
SCALE: 3/8" = 1'-0"



J4 HM JAMB WITH GLAZING
SCALE: 3/8" = 1'-0"

DESIGN COLLECTIVE
312 BLACKWELL STREET, SUITE 100
DURHAM, NORTH CAROLINA 27701
T: 919.381.9322 F: 919.381.9323

ARCHITECTURE, PLANNING, INTERIORS
WWW.DESIGNCOLLECTIVE.COM
601 EAST PRATT STREET, SUITE 300
BALTIMORE, MARYLAND 21202
T: 410.685.6655 F: 410.539.6242

DESIGN COLLECTIVE, INC. ALL RIGHTS RESERVED
ISSUED FOR: _____ DATE: _____
BID SET: 07.07.2011
PERMIT: 07.15.2011
PERMIT REVISIONS: 09.15.2011

CONSULTANT
OWNER/DEVELOPER
Johns Hopkins Healthcare
6704 Curtis Court
Glen Burnie, MD 21060
PROJECT NAME
Johns Hopkins
Healthcare Masterplan
PROJECT ADDRESS
6701 Curtis Court
Suite D
Glen Burnie, MD 21060
PROJECT MANAGEMENT
DCI Project No. 459-10-01

SEAL
"I certify that these documents were prepared or approved by me, and that I am a duly licensed architect under the laws of the State of Maryland, License No. 9684, expiration date 09/11."
By: Fred S. Marino, AIA Date: 07.15.2011
Design Collective, Inc. ARCHITECT
No. 9684
SHEET TITLE
SCHEDULES
SCALE AS NOTED
SHEET NUMBER
A600

