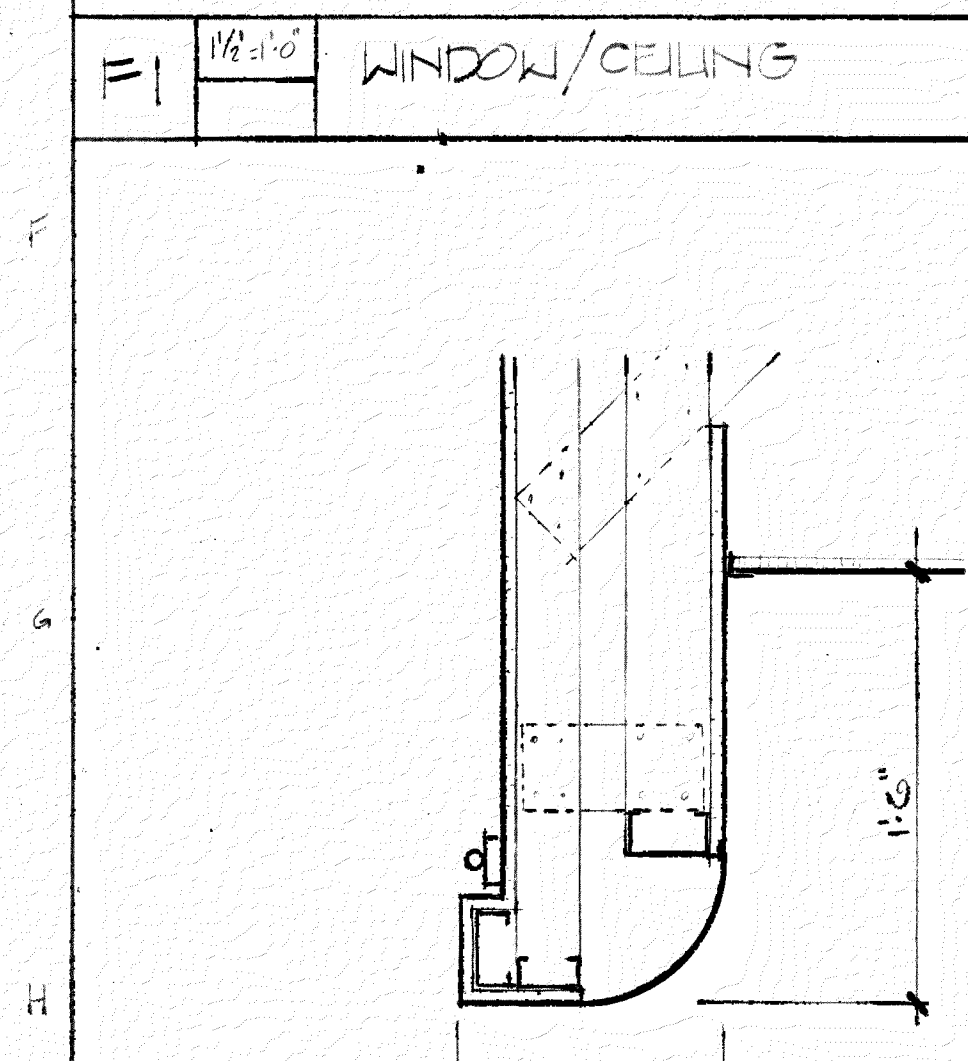
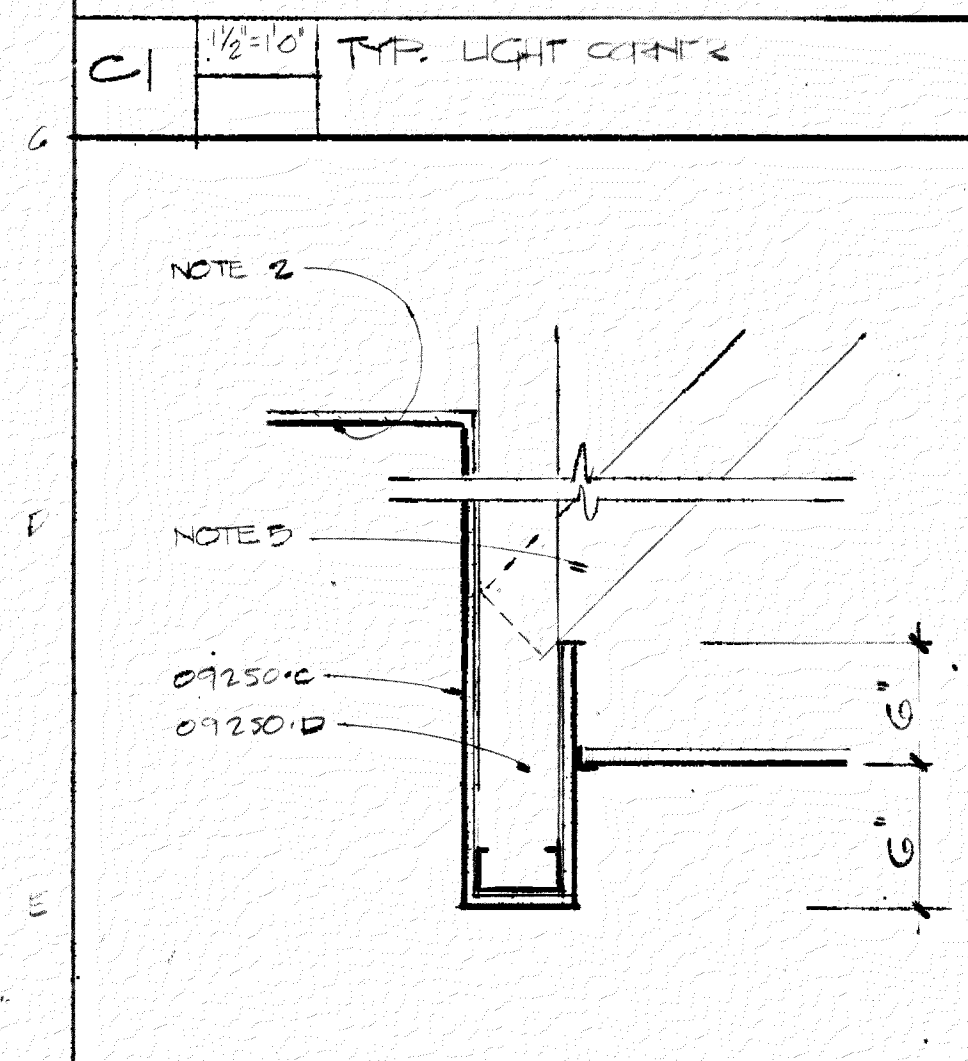
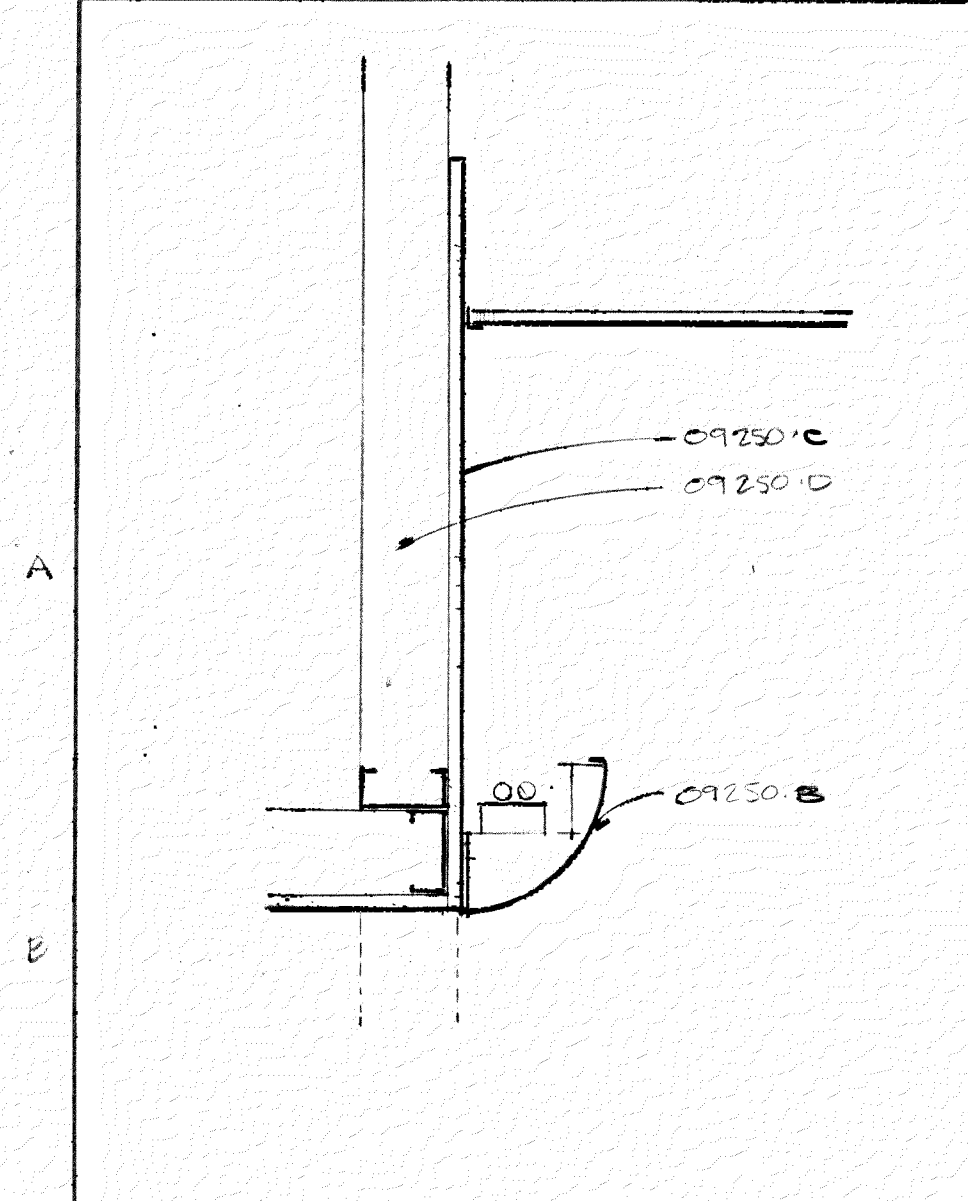
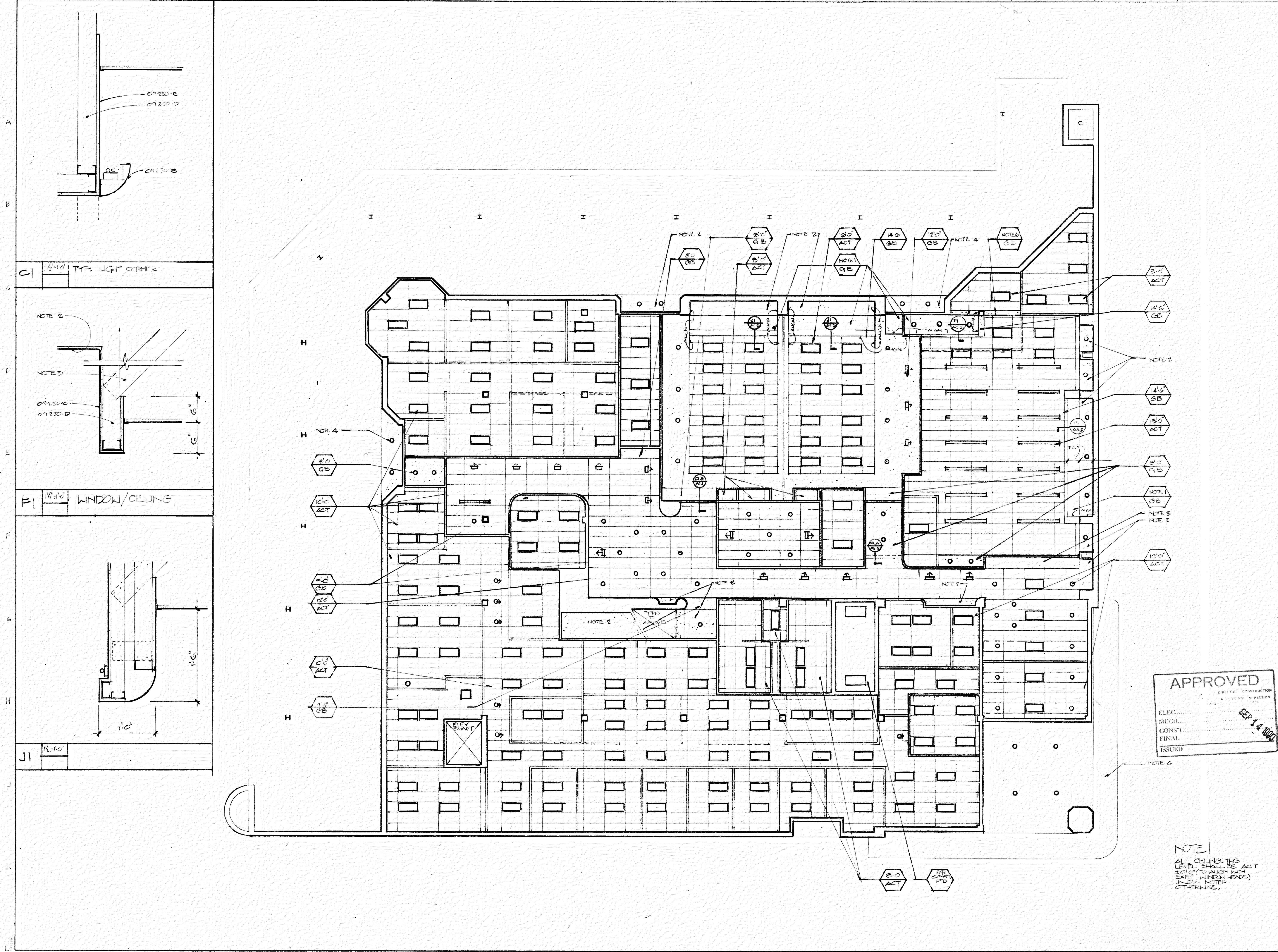


NO	DATE	REVISION



RECEIVED
DEPT. OF HOUSING
AND COMMUNITY DEVELOPMENT
11/16/90

REGISTRATION BOARD
4035-A
No. *[Signature]*
STATE OF MARYLAND

APPROVED
DIRECTOR - CONSTRUCTION
& BUILDING INSPECTION
ISSUED
SEP 14 1990

GROUND LEVEL
REFLECTED
CEILING PLAN SHEET

OFFICES FOR THE
BALTIMORE REGIONAL
COUNCIL OF
GOVERNMENTS
GREYHOUND STATION PROJECT

GOULD
ARCHITECTS, P.A.
518 N. Charles Street Baltimore, Maryland 21201
301-244-0070

8-20-90 DATE
1/8"=1'-0" SCALE
DRAWN
BINDING ORDER

A5.2