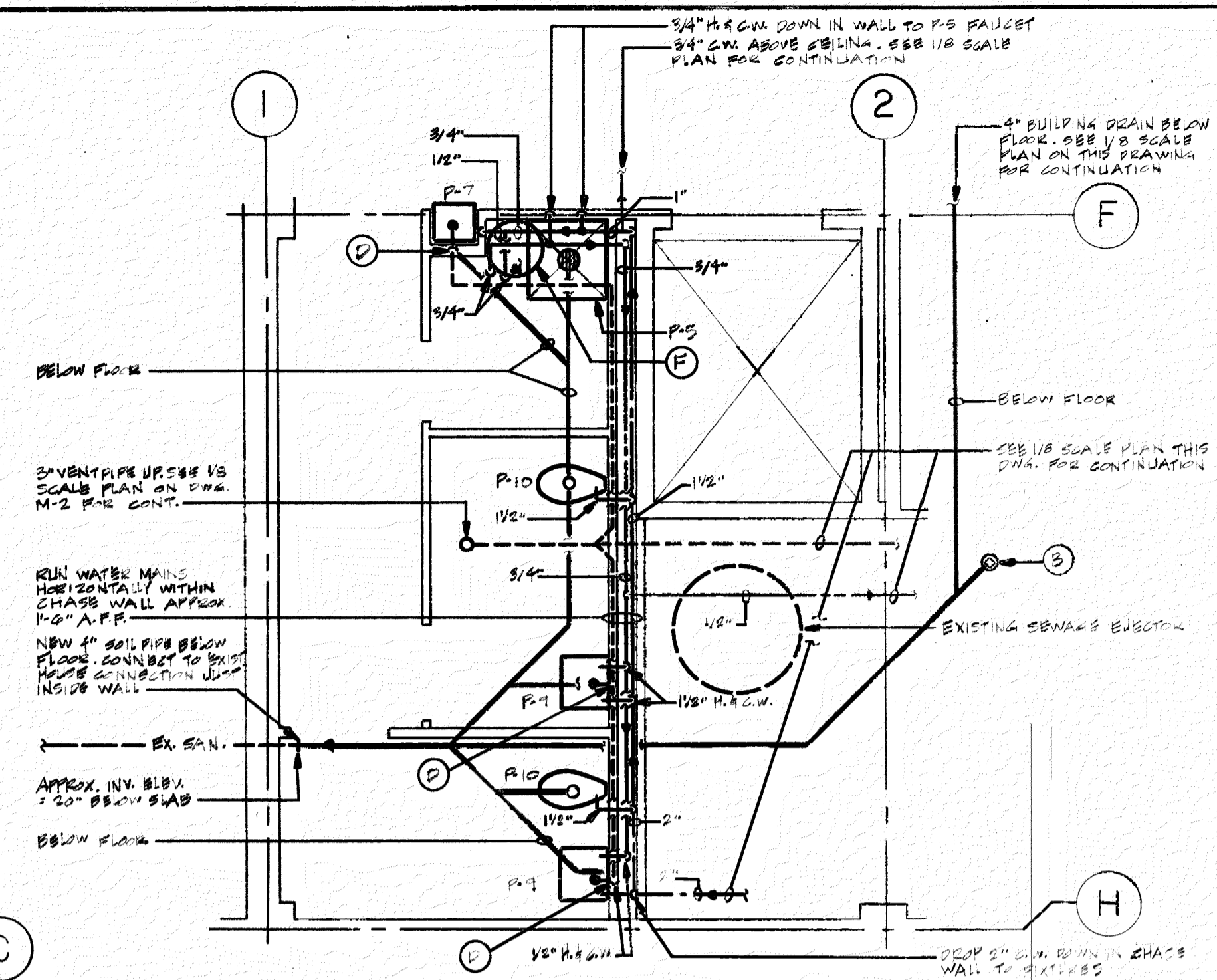


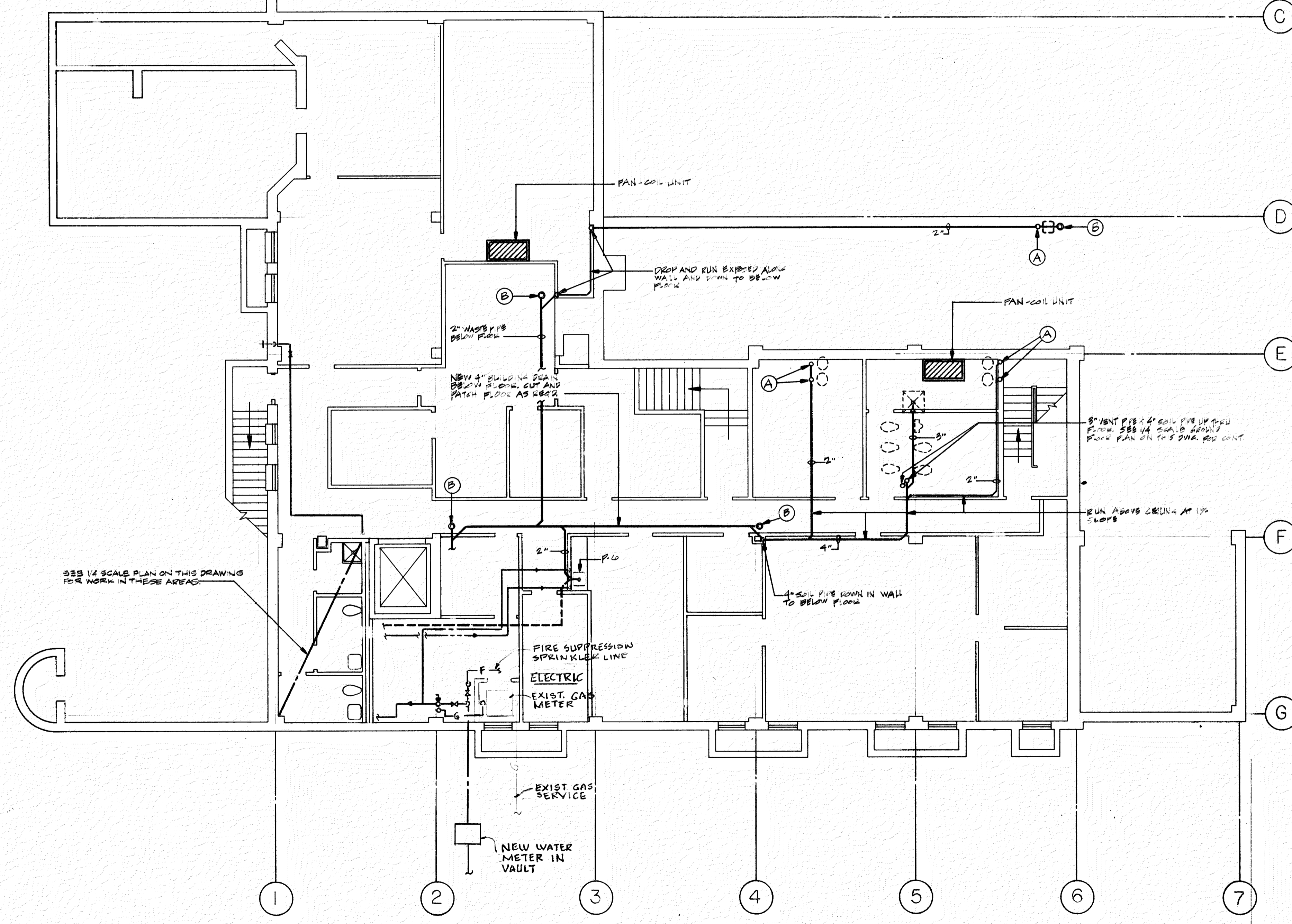
**SANITARY RISER DIAGRAM**

**PLAN NOTES:**

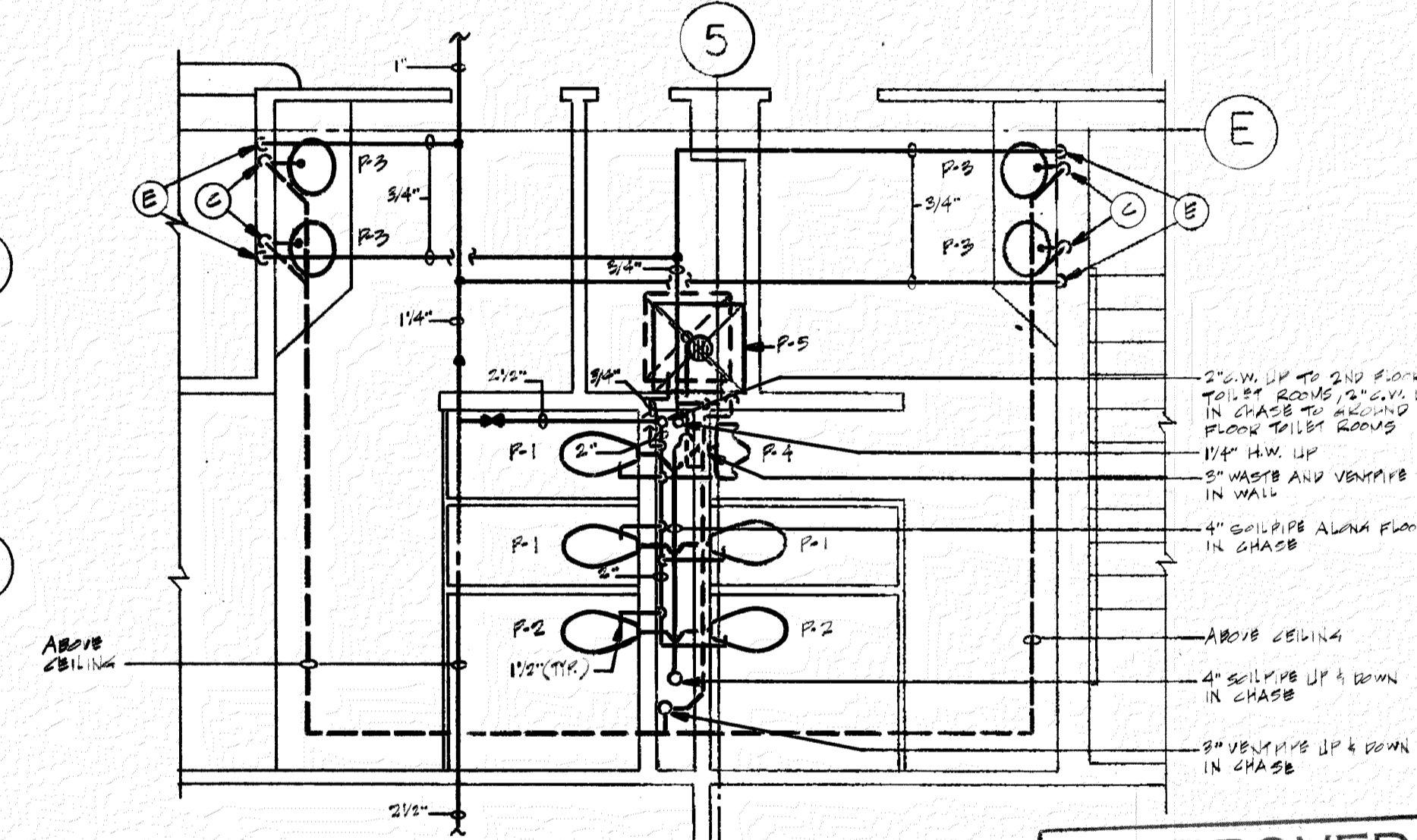
- (A) 1/2" WASTE PIPE UP IN WALL ABOVE. SEE 1/4 SCALE AROUND FLOOR PLAN ON THIS DRAWING FOR LOCATION
- (B) CLEAN-OUT FLUSH WITH FINISHED FLOOR.
- (C) 1 1/2" WASTE AND VENT PIPE IN WALL
- (D) 2" WASTE AND VENT PIPE IN WALL
- (E) 3/4" HOT & COLD WATER DOWN IN WALL TO (2) P.S. FAUCETS
- (F) WATER HEATER SHALL BE EQUIVALENT TO "LOSHINVAR" MODEL NO. JLV-20-B, 30 GALLON STORAGE CAPACITY, 1500 WATTS WIEB FROM BODY. IN OPERATION, FURNISH W/ADME APPROVED P.T. RELIEF VALVE PIPED FULL SIZE TO MS MOUNT ON TABLE NEAR HEATER
- (G) WATER HEATER SHALL BE EQUIVALENT TO "LOSHINVAR" MODEL NO. KJ-20-B, 30 GALLON STORAGE CAPACITY, 1500 WATTS WIEB FROM BODY. IN OPERATION, FURNISH W/ADME APPROVED P.T. RELIEF VALVE PIPED FULL SIZE TO MS



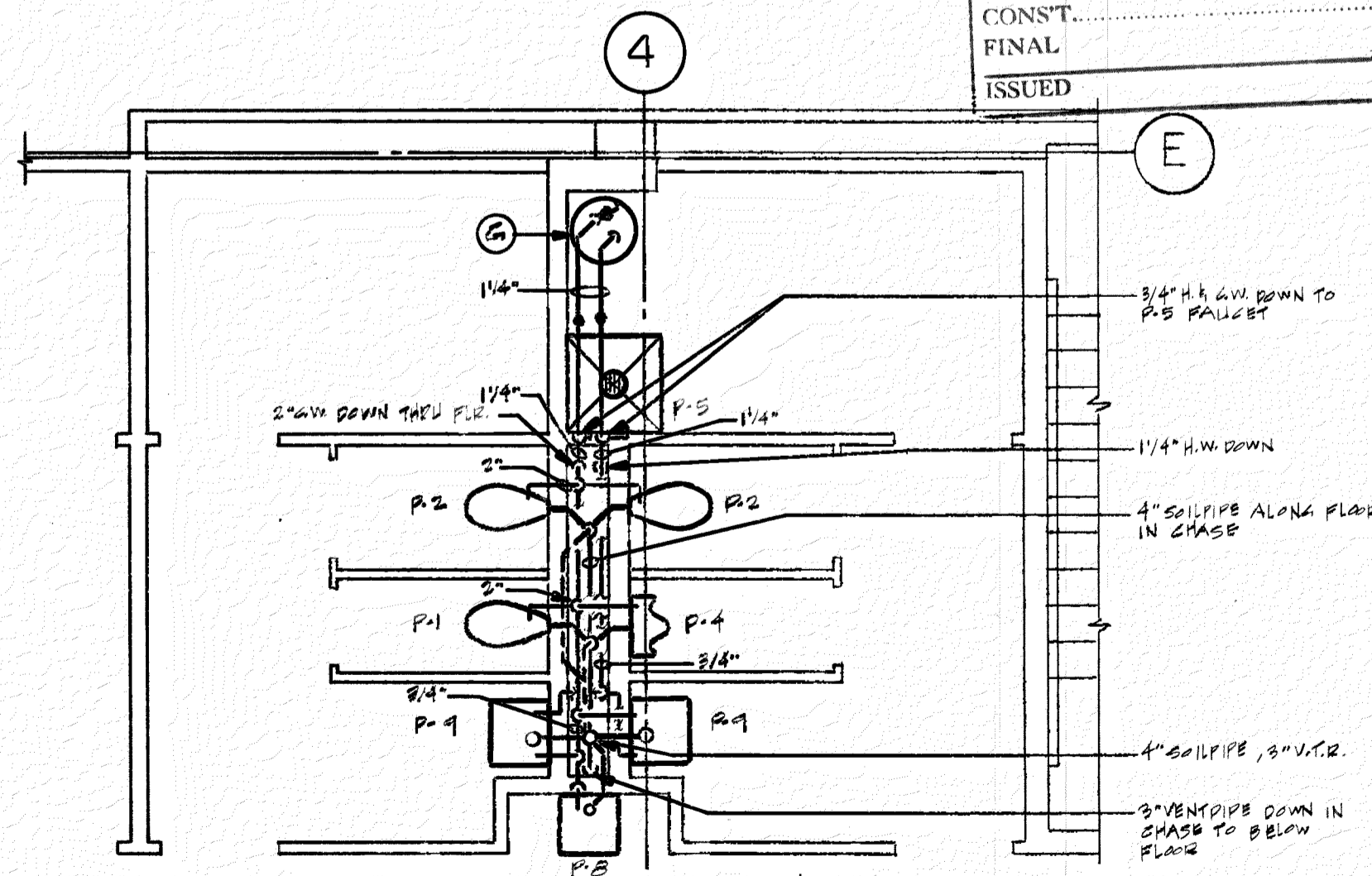
**BASEMENT PLAN**



**BASMENT PLAN**  
SCALE: 1/8"=1'0"



**GROUND FLOOR PLAN**



**1/4 SCALE TOILET ROOM PLANS**

NO.	DATE	REVISION

PLUMBING FIXTURES SHALL BE OF THE WATER CONSERVING TYPE WHICH CONFORM TO THE MARYLAND WATER CONSERVATION PLUMBING FIXTURES ACT (MWCPFA) ART. 56, 445

RECEIVED  
DEPT. OF HOUSING  
AND COMMUNITY DEVELOPMENT  
AUG-26-1990  
No.

PERMITS

APPROVED  
DIRECTOR - CONSTRUCTION  
& INSPECTION  
DATE  
ELEC. 3/21/91  
MECH. 3/21/91  
CONST. 3/21/91  
FINAL  
ISSUED

**SCHLENGER/PITZ INC.**  
Consulting Engineers  
3000 Chestnut Ave.  
Suite 14, The Mill Centre  
Baltimore, Maryland 21211  
PH: (301) 487-1781 FAX: (301) 487-1234

3514  
PROFESSIONAL  
REGISTERED  
PLUMBER  
STATE OF MARYLAND

**BASMENT PLAN**  
**PLUMBING**

SHEET

**REGIONAL PLANNING COUNCIL**  
GREYHOUND STATION PROJECT

**COULD ARCHITECTS, P.A.**  
518 N. Charles Street Baltimore, Maryland 21201  
301-244-0070

8-20-90	DATE
AS NOTED	SCALE
	DRAWN
	BINDING ORDER

**M-1**