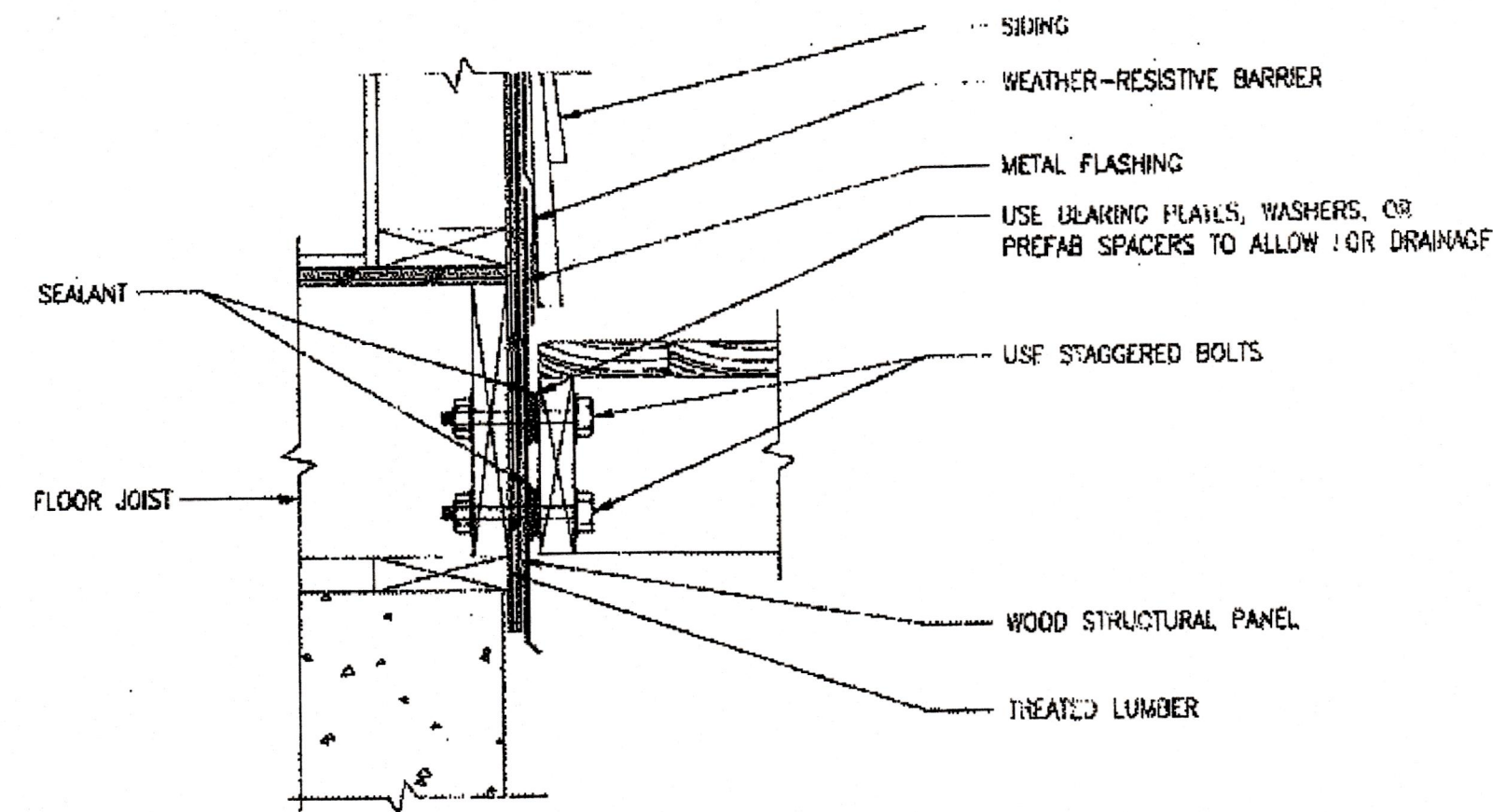
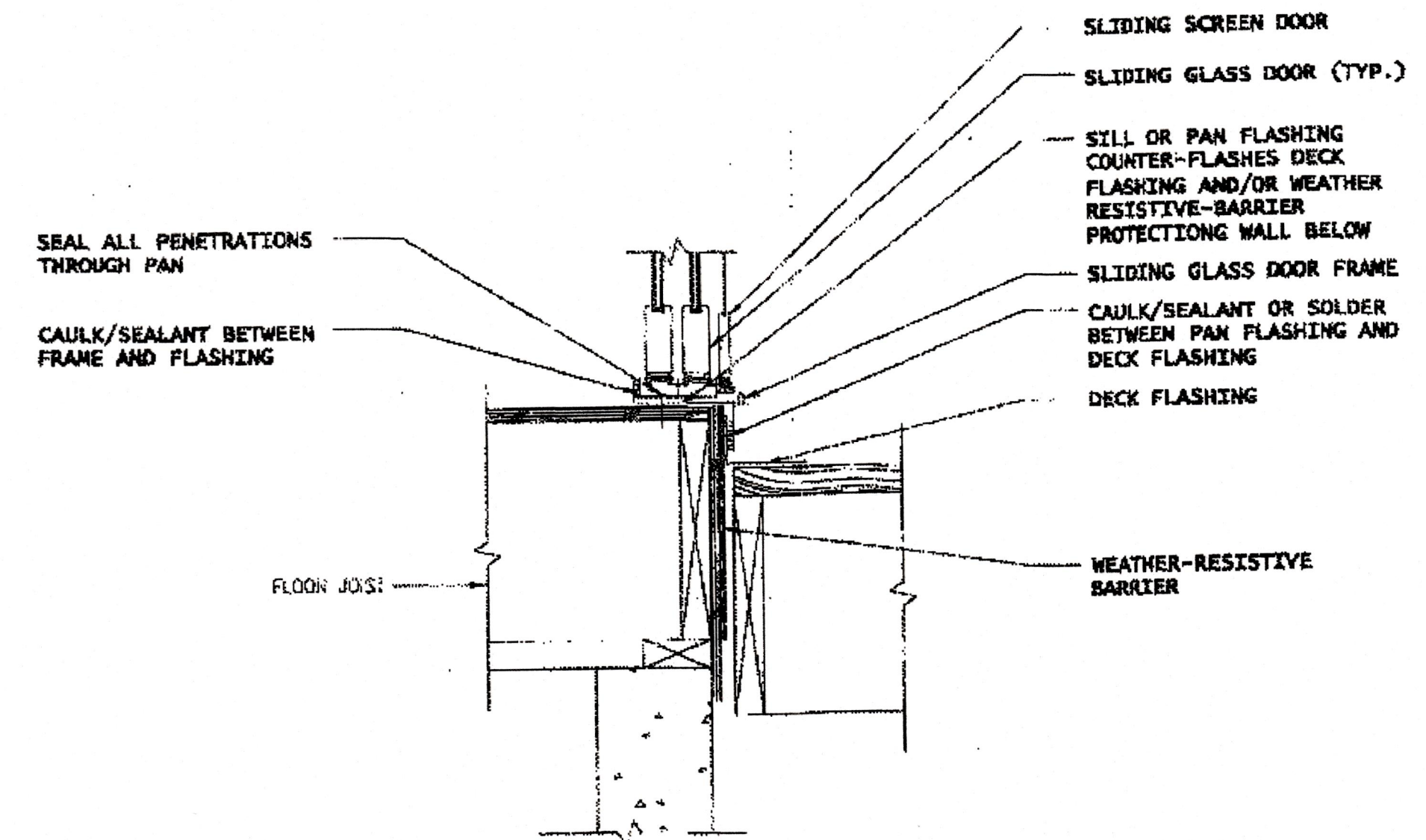


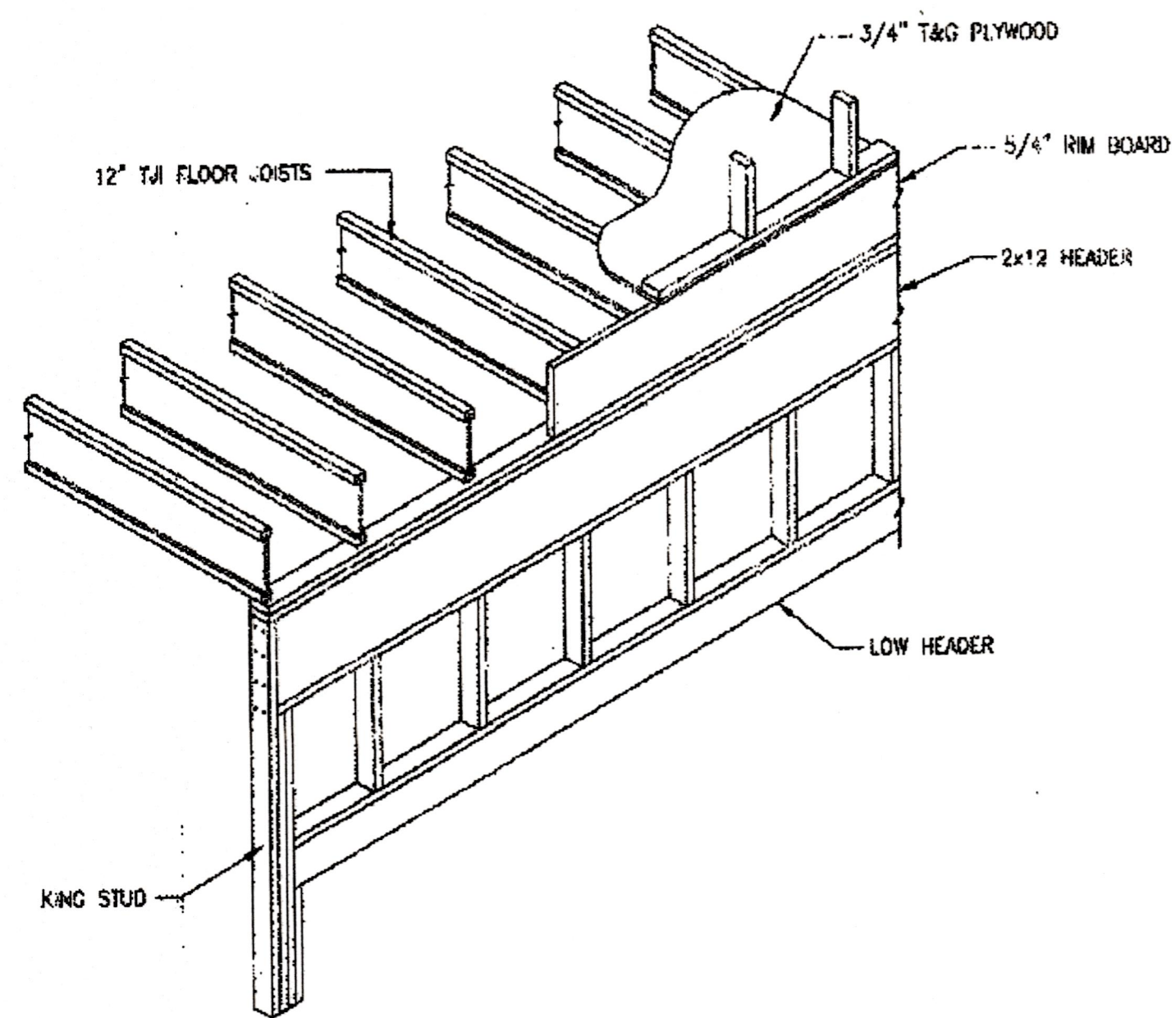
INTERIOR FLOOR SYSTEM
N.T.S.



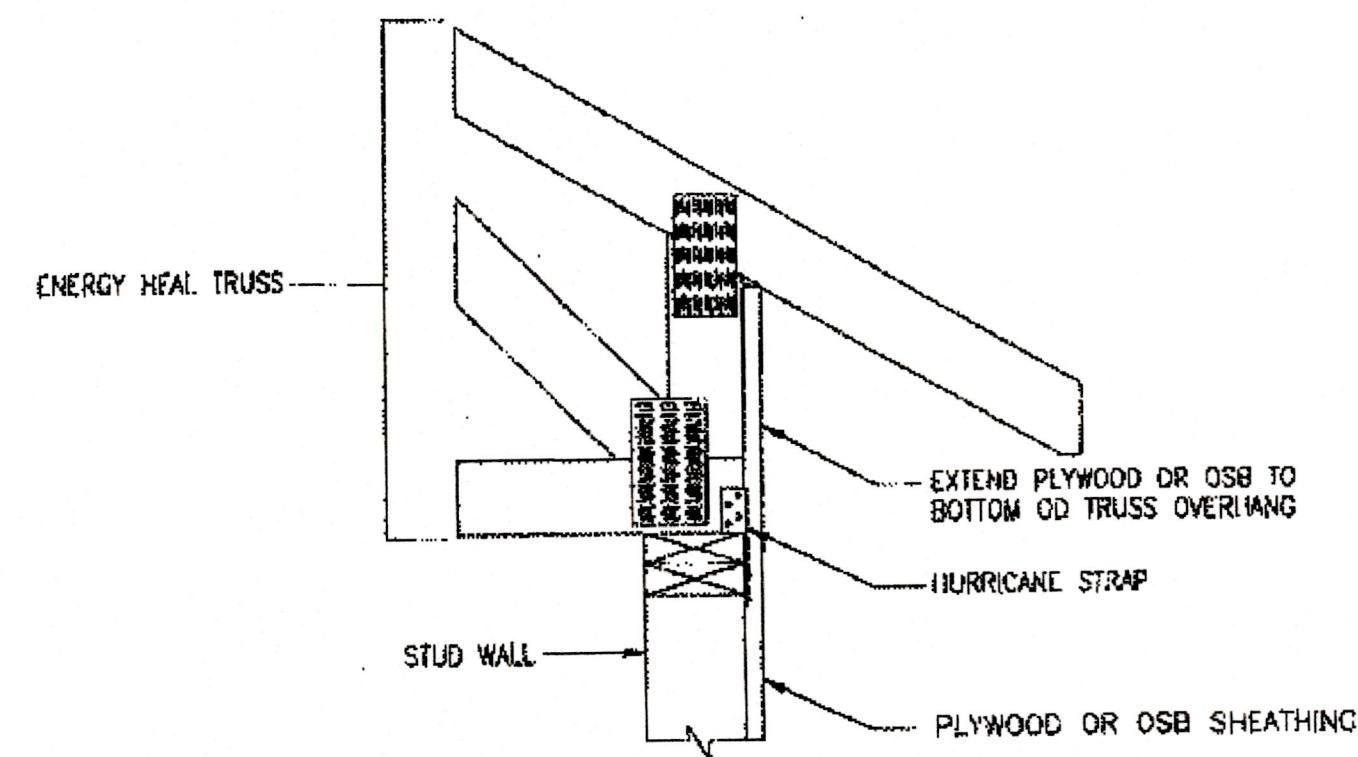
WEATHER RESISTIVE SYSTEM AT EXTERIOR DECK
N.T.S.



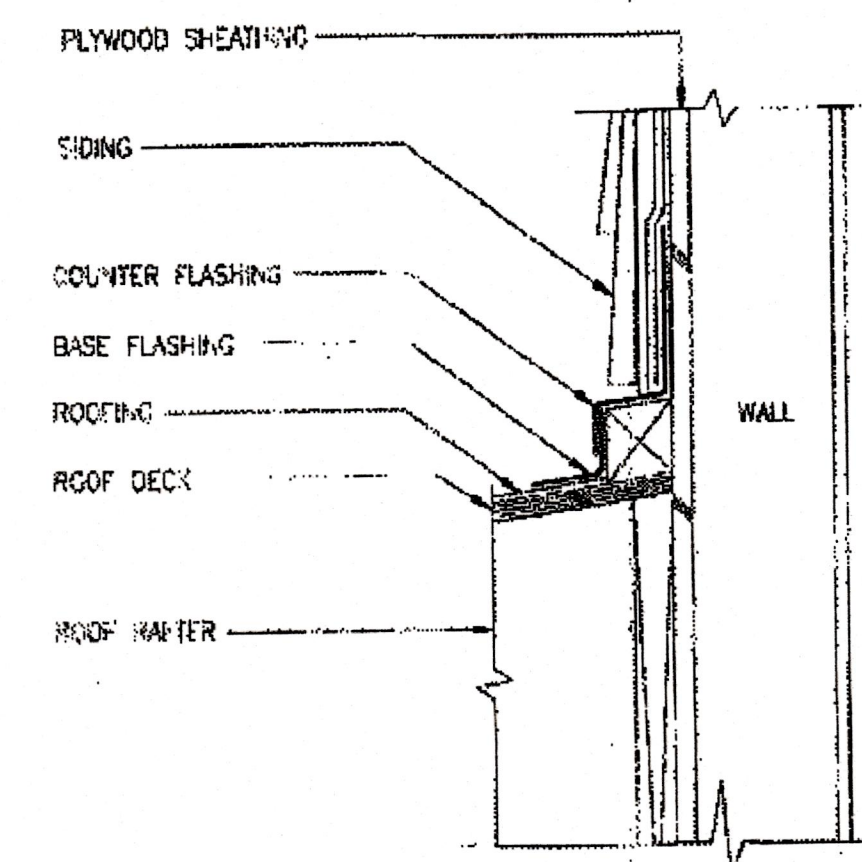
SILL FLASHING AT SLIDING GLASS DOOR
N.T.S.



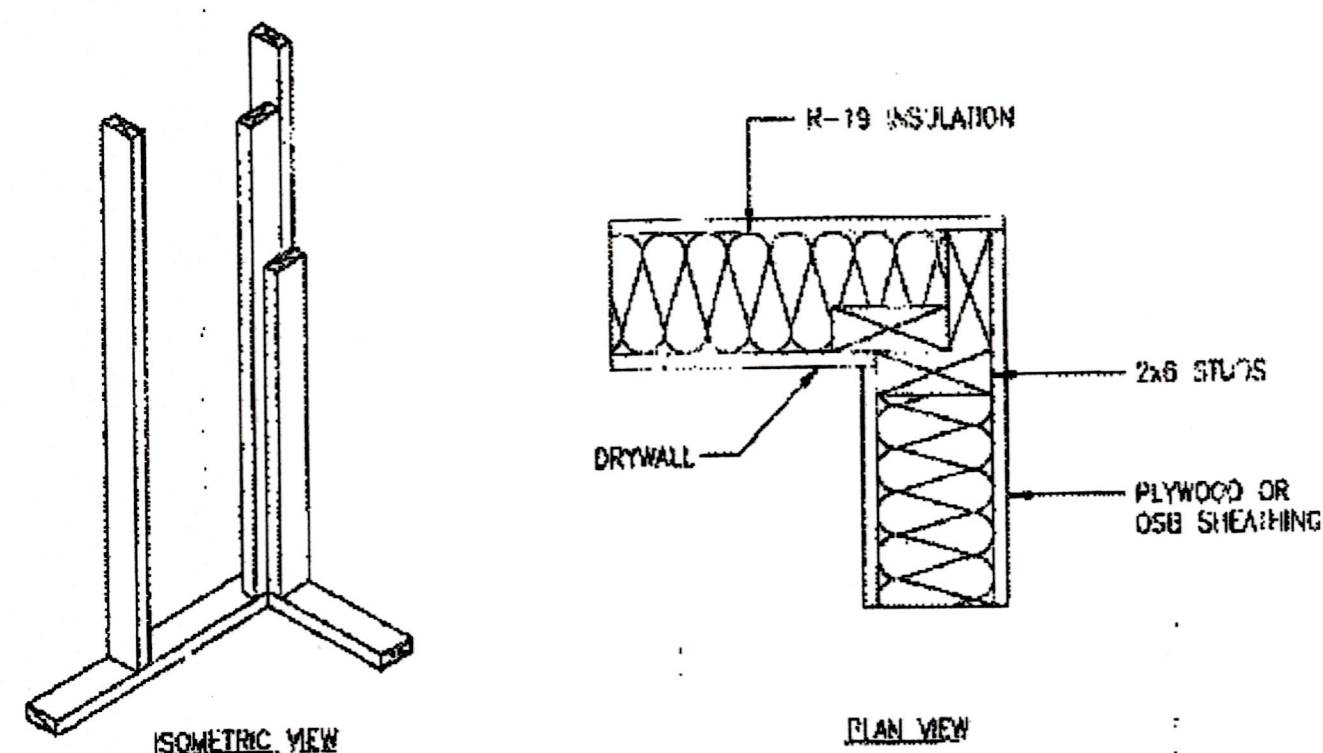
TYPICAL FLOOR JOIST AND HEADER DETAIL
N.T.S.



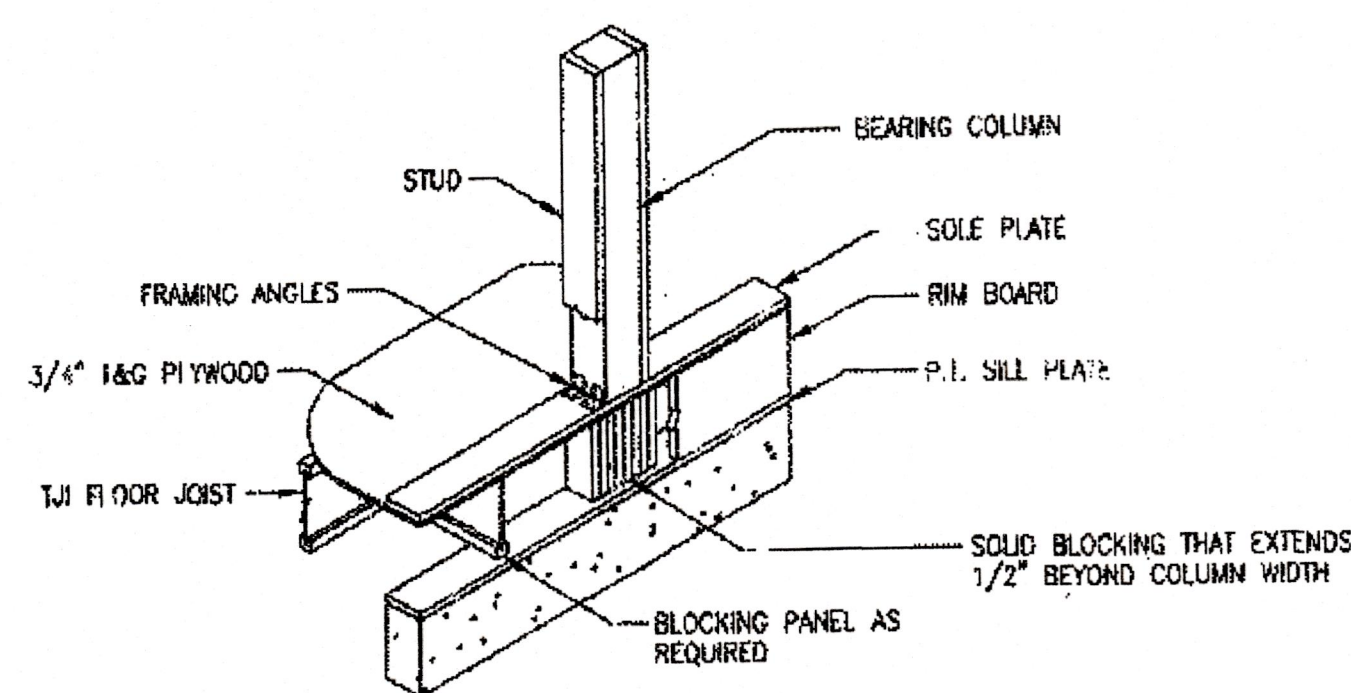
ENERGY HEEL TRUSS TO WALL
N.T.S.



FLASHING INSTALLATION AT ROOF INTERSECTION
N.T.S.



THREE STUD CORNER
N.T.S.



BEARING COLUMN DETAIL
N.T.S.

PROPOSED SINGLE FAMILY DWELLING AT:
WESTERN SHORE
BLETZER ROAD
BALTIMORE, MARYLAND 21219

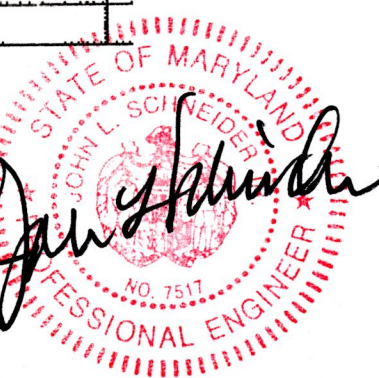
V. A. BRADEY
DRAFTING AND DESIGN
809 GEORGE ANNEUR
BALTIMORE, MARYLAND 21201
410-258-4794

D&M CONSTRUCTION, INC.
6302-A North Point Road
Baltimore, MD 21219
410-477-6500

SYMBOL REVISIONS

SYMBOL	REVISIONS

Drawn	VAB
Designed	VAB
Checked	VAB
Approved	VAB



Scale	AS NOTED
Comm. No.	14869-A
Date	JUNE 12, 2014
Drawing Title	DETAILS

Sheet No:

CONSTRUCTION SET

A-8