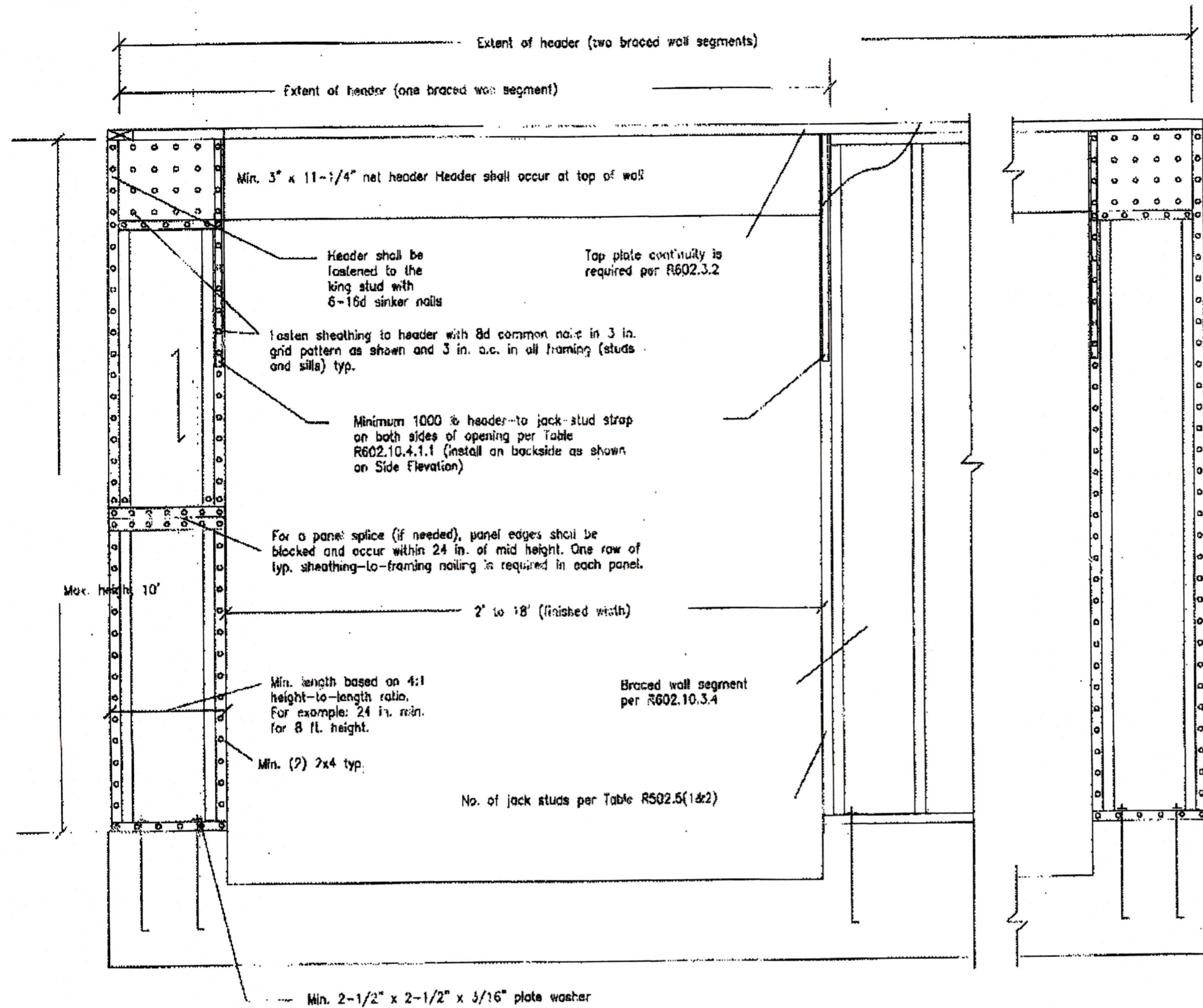
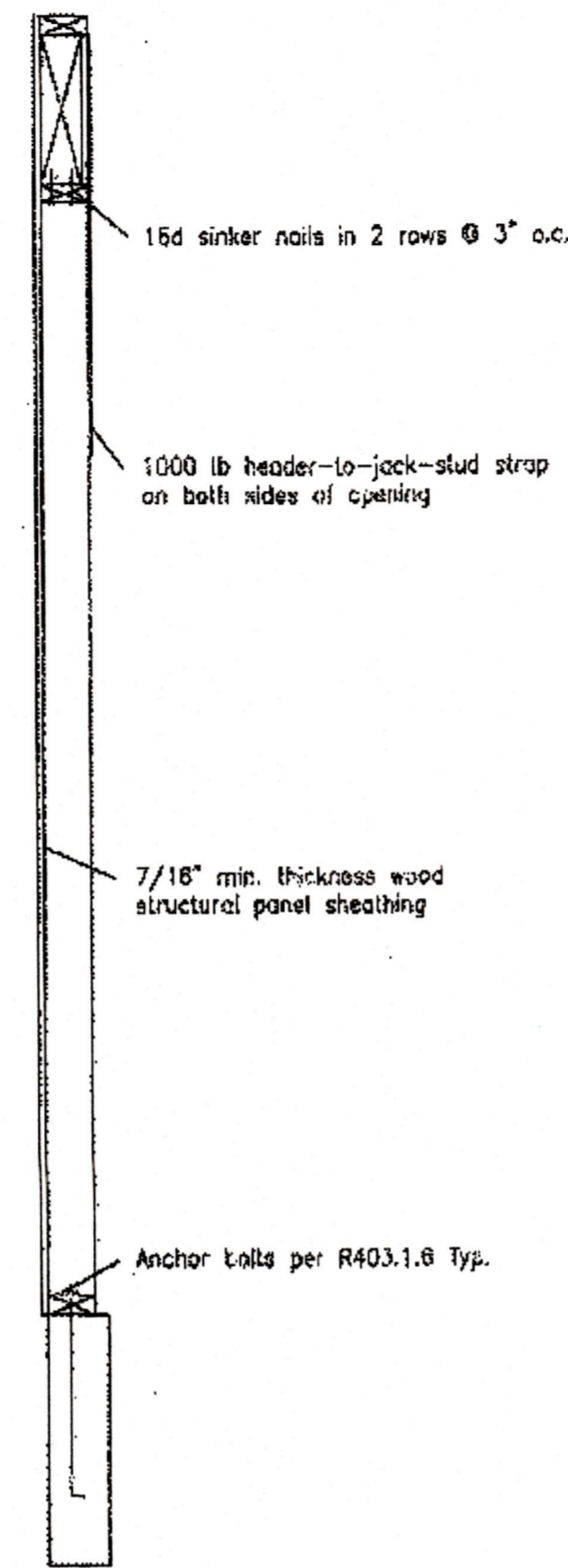


Outside Elevation

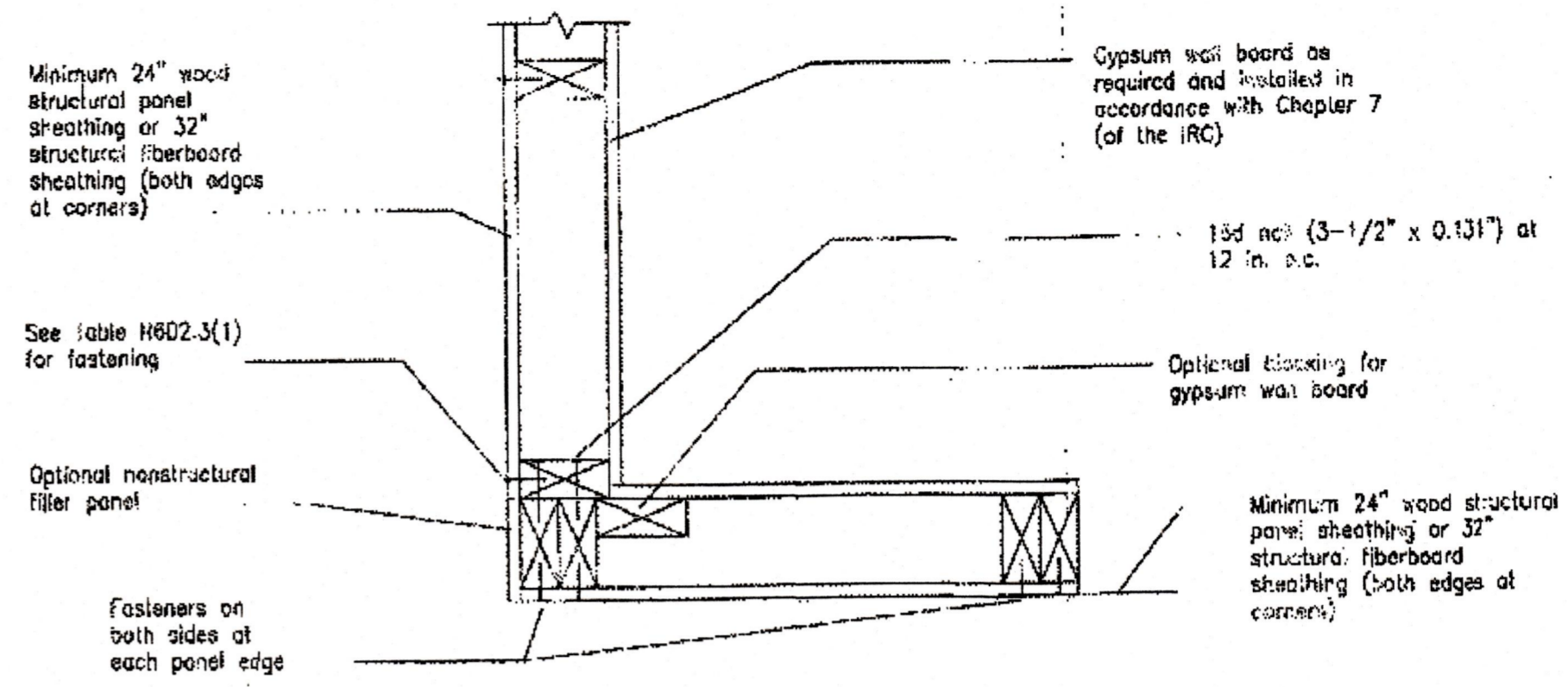


Side Elevation

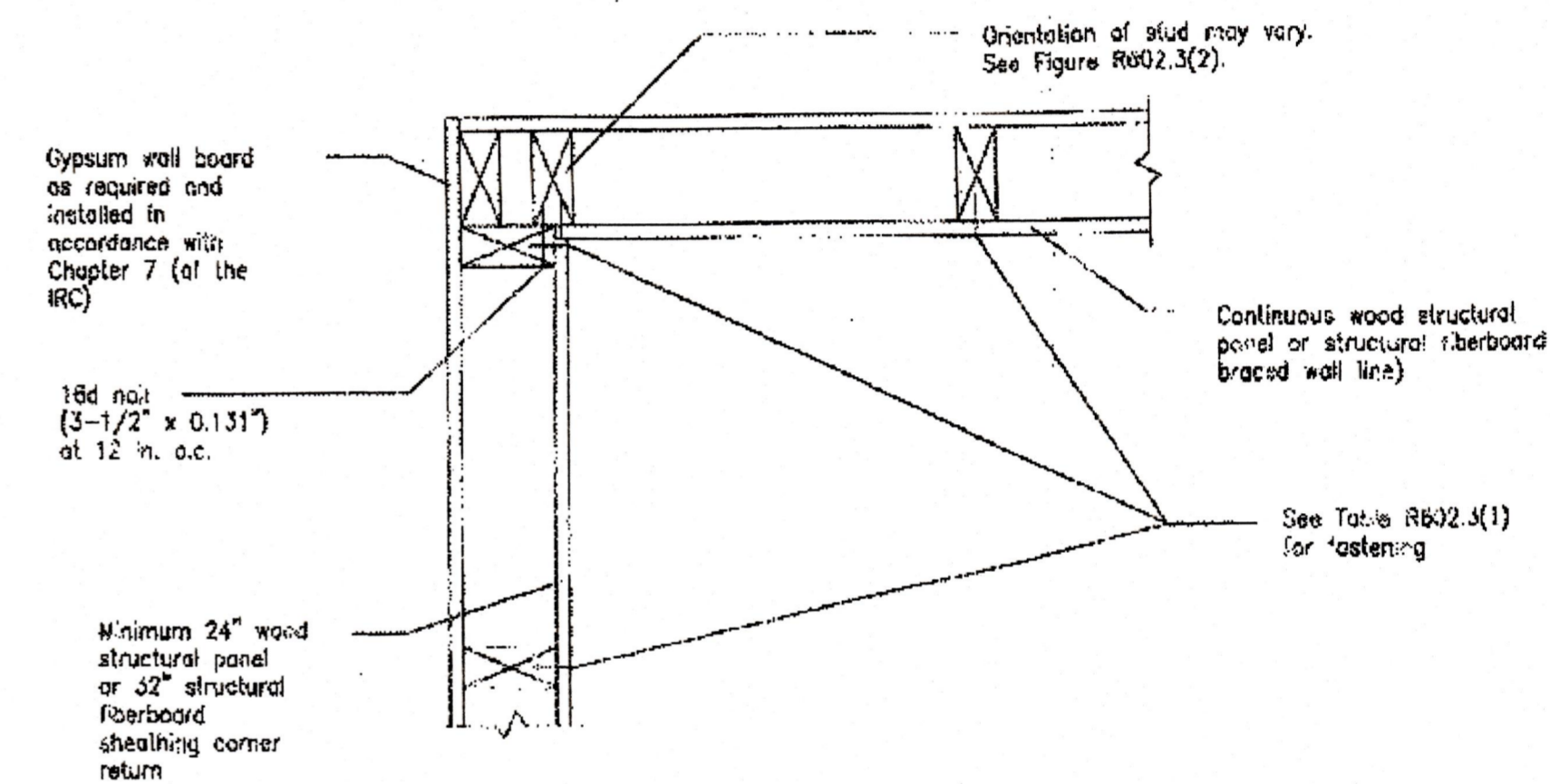


METHOD PFG - INTERMITTENT PORTAL AT GARAGE DOOR OPENING IN SDC A, B AND C  
N.T.S.

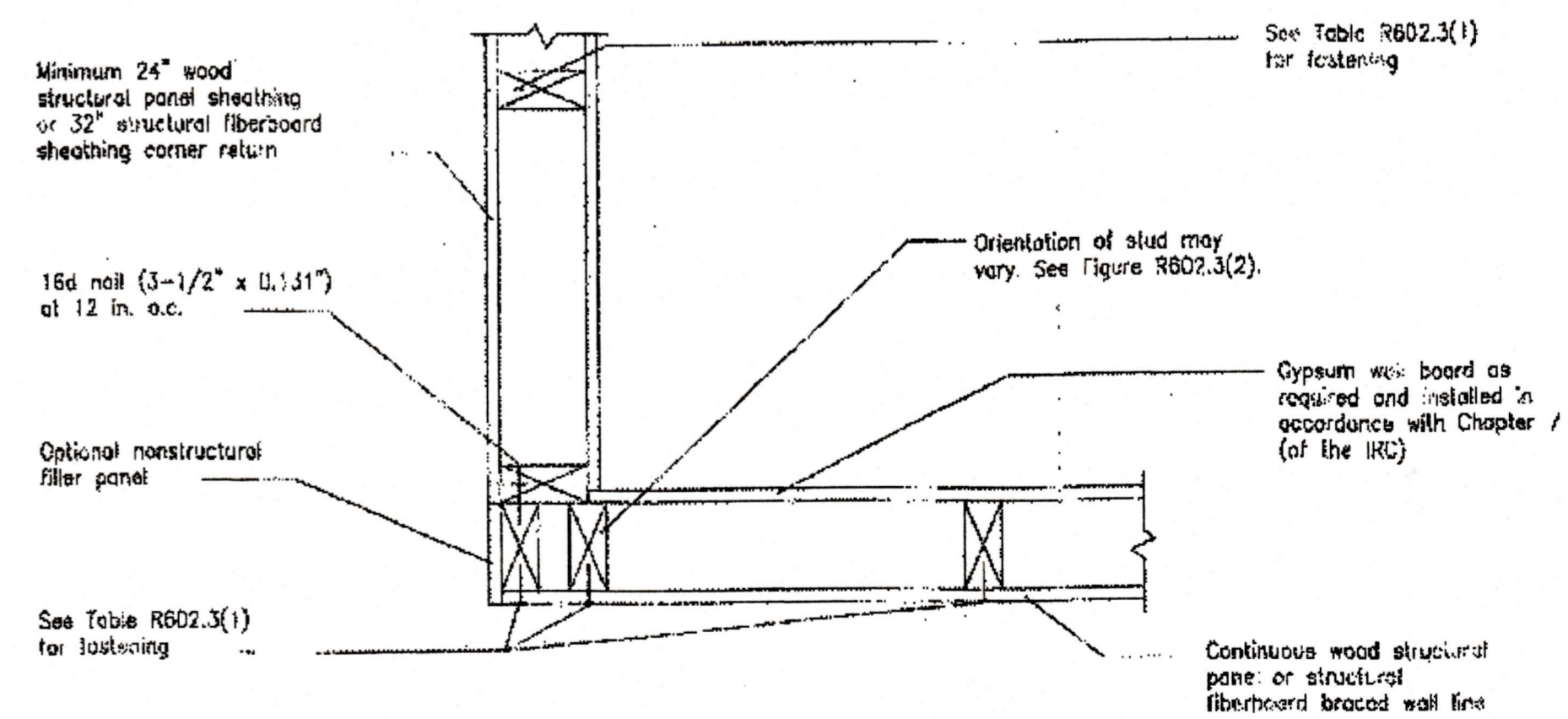
GARAGE CORNER DETAIL



GARAGE CORNER DETAIL  
N.T.S.



INSIDE CORNER DETAIL  
N.T.S.



OUTSIDE CORNER DETAIL  
N.T.S.

PROPOSED SINGLE FAMILY DWELLING AT:

WESTERN SHORE

BLETZER ROAD  
BALTIMORE, MARYLAND 21219

V. A. BRADEN  
DRAFTING AND DESIGN  
308 GEORGE AVENUE  
BALTIMORE, MARYLAND 21201  
410-226-4784

D&M CONSTRUCTION, INC.

6302-A North Point Road  
Baltimore, MD 21219  
410-477-5500

SYN. REVISIONS

SYN.	REVISIONS	DATE

Drawn	VAB
Designed	VAB
Checked	VAB
Approved	<i>[Signature]</i>

Scale	AS NOTED
Comm No	14869-A
Date	JUNE 12, 2014
Drawing Title	DETAILS

Sheet No: A-10

CONSTRUCTION SET