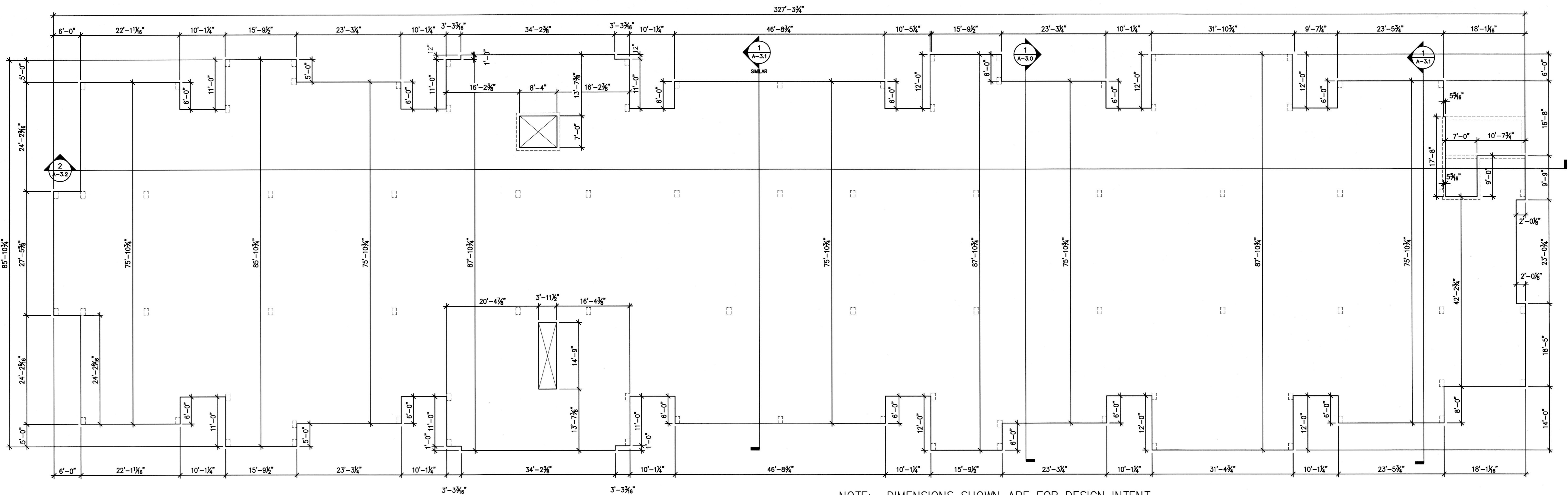




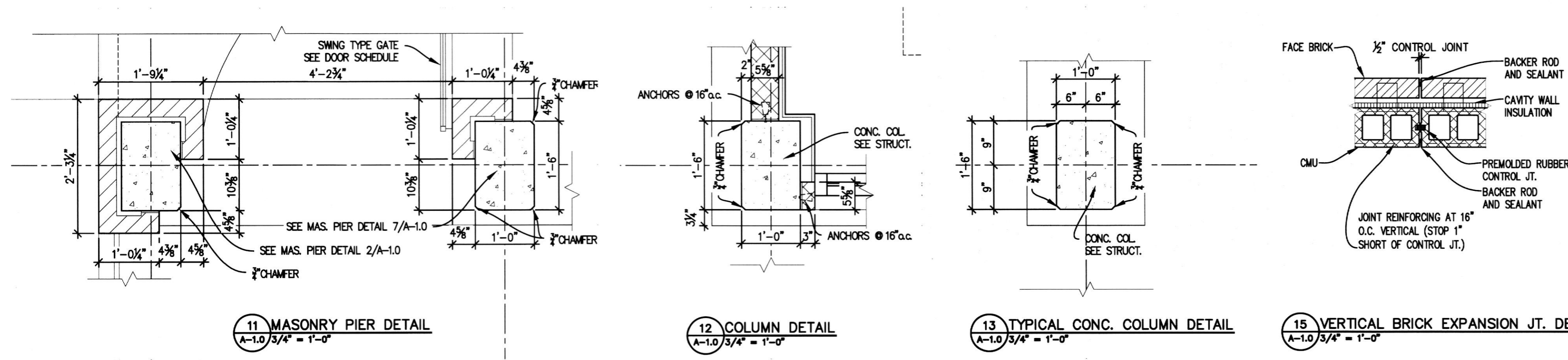
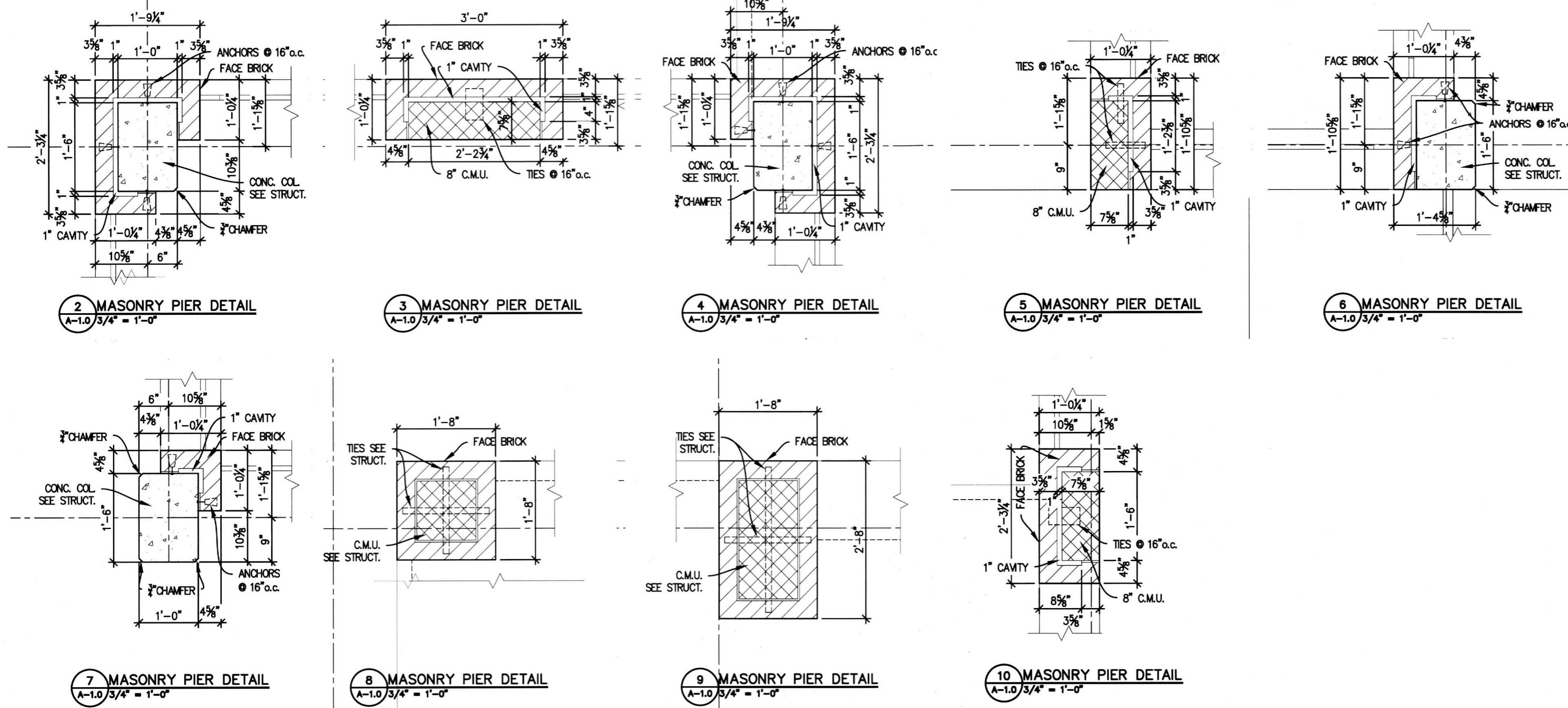
8/20/18

J. T. FISHMAN & ASSOCIATES
ARCHITECTS-PLANNERS
6 DORSET HILL COURT
OWINGS MILLS, MARYLAND 21117
(410) 581-5800 FAX: (410) 286-1572
PROFESSIONAL CERTIFICATION
I CERTIFY THAT THESE DOCUMENTS WERE
PREPARED OR APPROVED BY ME, AND THAT I AM
DULY LICENSED ARCHITECT UNDER THE LAWS OF
THE STATE OF MARYLAND AND
LICENSE #5425 EXP. DATE 08/17/19



1 FIRST FLOOR SLAB PLAN
A-1.0 3/4" = 1'-0"

NOTE: DIMENSIONS SHOWN ARE FOR DESIGN INTENT.
CONTRACTOR SHALL VERIFY ALL DIMENSIONS IN THE FIELD
AND SHALL NOTIFY THE ARCHITECT IF ANY CONFLICT OR
DIMENSIONAL ERROR IS FOUND BEFORE BEGINNING ANY WORK.



PARTITION TYPES		
P1		1) 2x4 WD. STUDS @ 16" O.C. 2) 5/8" GYP. BD. EA. SIDE OR CONCRETE BD. AS REQ'D 3) WALL TILE @ NET AREAS SEE R.M. FINISH SCHEDULE FOR LOCATIONS 4) 15/32" O.S.B. @ SHEAR WALL* *TYPICAL INTERIOR WALL NON-LOAD BEARING
P1a		1) R.L. (2226) WD. STUDS @ 16" O.C. 2) 5/8" GYP. BD. TYPE X EA. SIDE 3) 2-5/8" GYP. BD. @ SHEAR WALL* 4) TYPICAL INTERIOR LOAD BEARING WALL 1HR. RATED (1/2 HR. REQUIRED) UL DESIGN U305
P2		1) R.L. 1462 (2224) WD. STUDS @ 16" O.C. 2) 2x4 WD. STUDS @ 16" O.C. 3) 5/8" GYP. BD. TYPE X OVER RESILIENT CHANNELS @ 24" O.C. (HORIZ. CORRIDOR SIDE) 4) 2 LAYERS 5/8" GYP. BD. TYPE X 5) 3" GLASS FIBER INSULATION 6) TYPICAL INTERIOR CORRIDOR WALL LOAD BEARING 1HR. RATED (1 HR. REQUIRED) BASED ON UL DESIGN U305 STC 50 SOUND TEST MECC TL33-1183-98
P3		1) P3: 2x8 WD. STUDS @ 24" O.C. 2) P4: 2x8 WD. STUDS @ 24" O.C. 3) 5/8" GYP. BD. EA. SIDE
P4		INTERIOR WALL PLUMBING OR HVAC CHASE NON-LOAD BEARING 1) R.L. (2224) WD. STUDS @ 16" O.C. 2) 5/8" GYP. BD. TYPE X, EACH SIDE 3) 3" GLASS FIBER INSULATION 4) 15/32" O.S.B. @ SHEAR WALL *TYPICAL DWELLING UNIT SEPARATION LOAD BEARING 1HR. RATED (1 HR. REQUIRED) BASED ON UL DESIGN U341 STC 57 ESTIMATED
P5		1) R.L. (2224) WD. STUDS @ 16" O.C. 2) 2x4 WD. STUDS @ 16" O.C. 3) 5/8" GYP. BD. EA. SIDE 4) 3" GLASS FIBER INSULATION 5) 15/32" O.S.B. @ SHEAR WALL *TYPICAL DWELLING UNIT SEPARATION LOAD BEARING 1HR. RATED (1 HR. REQUIRED) BASED ON UL DESIGN U341 STC 57 ESTIMATED
P6		1) R.L. (2226) WD. STUDS @ 16" O.C. 2) 5/8" GYP. BD. TYPE X, EACH SIDE 3) 3" GLASS FIBER INSULATION 4) WALL TILE @ NET AREAS SEE R.M. FINISH SCHEDULE FOR LOCATIONS 5) 15/32" O.S.B. @ SHEAR WALL *PLUMBING CHASE AT DWELLING UNIT SEPARATION LOAD BEARING 1HR. RATED (1 HR. REQUIRED) BASED ON UL DESIGN U341 STC 57 ESTIMATED
P7		1) SEE WALL TYPE P2 2) 2x4 WD. STUDS @ 16" O.C. 3) 5/8" GYP. BD. EA. SIDE OR CONCRETE BD. AS REQ'D 4) WALL TILE @ NET AREAS SEE R.M. FINISH SCHEDULE FOR LOCATIONS 5) PLUMBING CHASE AT CORRIDOR WALL LOAD BEARING 1HR. RATED (1 HR. REQUIRED) BASED ON UL DESIGN U305 STC 50 SOUND TEST MECC TL33-1183-98
P8		1) R.L. (2226) WD. STUDS @ 16" O.C. 2) 5/8" GYP. BD. EA. SIDE OR CONCRETE BD. AS REQ'D 3) 3" GLASS FIBER INSULATION, NOMINAL STCF, FRICTION FIT IN STUD JOINT 4) TYPICAL INTERIOR WALL SEPARATION LOAD BEARING 2HR. RATED (2 HR. REQUIRED) FIRE TEST: ITS J20-08170.3,12-00
P9		1) R.L. (2226) WD. STUDS @ 16" O.C. 2) 5/8" GYP. BD. 3) 5/8" GYP. BD. 4) 7/16" ORIENTED STRAND BOARD (OSB) SHEATHING 5) WATER RESISTIVE BARRIER 6) FIBER CEMENT SIDING *TYPICAL EXTERIOR WALL LOAD BEARING, MIN. R-20 REQUIRED
P10		INTERIOR WALL BETWEEN LOBBY & ELEVATOR #1 LOBBY NON-LOAD BEARING 1) 2x4 WD. STUDS @ 16" O.C. 2) 2x8 WD. STUDS @ 16" O.C. 3) 5/8" GYP. BD. 4) 2" FIBERGLAS BATT INSULATION (R-21) 5) 7/16" ORIENTED STRAND BOARD (OSB) SHEATHING 6) WATER RESISTIVE BARRIER 7) FIBER CEMENT SIDING
P11		1) 2x4 WD. STUDS @ 16" O.C. 2) 2x8 WD. STUDS @ 16" O.C. 3) 5/8" GYP. BD. 4) 2" FIBERGLAS BATT INSULATION (R-21) 5) 7/16" ORIENTED STRAND BOARD (OSB) SHEATHING 6) WATER RESISTIVE BARRIER 7) FIBER CEMENT SIDING
P12		WALL AT PANTRY NON-LOAD BEARING 1) 2x4 WD. STUDS @ 16" O.C. 2) 5/8" GYP. BD. EA. SIDE OR CONCRETE BD. AS REQ'D
W1		8" REINFORCED CONCRETE SEE STRUCTURAL STAIR & ELEVATOR SHAFTS GARAGE LEVEL ONLY 2 HR. FIRE RATING
W2		8" CONCRETE 3/4" FURRING STRIPS @ 24" O.C. 5/8" GYP. BD. STAIR & ELEVATOR SHAFTS GARAGE LEVEL ONLY 2 HR. FIRE RATING
W3		8" CONCRETE 2x4 WD. STUDS @ 24" O.C. 5/8" GYP. BD. STAIR & ELEVATOR SHAFTS GARAGE LEVEL ONLY 2 HR. FIRE RATING
W4		8" CONCRETE 1" AIR SPACE W/3/4" ROOD INSULATION 4" FACE BRICK *TYPICAL EXTERIOR WALL STAIR #1 AT GARAGE LEVEL
W5		8" CMU BLOCK - LIGHTWEIGHT FULL HEIGHT THICKNESS VARIES-SEE FLOOR PLANS 6" CMU = 2 HR. FIRE RATING UL DESIGN NO. U906 8" CMU = 2 HR. FIRE RATING UL DESIGN NO. U906 10" CMU = 2 HR. FIRE RATING UL DESIGN NO. U906 12" CMU = 2 HR. FIRE RATING UL DESIGN NO. U906 SEE PLANS FOR FIRE RATED WALL LOCATIONS
W6		8" CMU BLOCK - LIGHTWEIGHT FULL HEIGHT THICKNESS VARIES-SEE FLOOR PLANS 2x4 FURRING @ 24" O.C. 5/8" GYP. BD.
W7		6" CMU = 2 HR. FIRE RATING UL DESIGN NO. U906 8" 10" & 12" CMU = 2 HR. FIRE RATING UL DESIGN NO. U906 12" CMU = 2 HR. FIRE RATING UL DESIGN NO. U906 SEE PLANS FOR FIRE RATED WALL LOCATIONS
W8		8" CMU BLOCK - LIGHTWEIGHT FULL HEIGHT 2x4 WD. STUDS @ 24" O.C. 5/8" GYP. BD. 3" GLASS FIBER INSULATION STAIR & ELEVATOR SHAFTS FLOORS 1, 2, & 3 2 HR. FIRE RATING UL DESIGN NO. U905
W8a		8" CMU BLOCK - LIGHTWEIGHT FULL HEIGHT 2x4 WD. STUDS @ 24" O.C. 5/8" GYP. BD. 3" GLASS FIBER INSULATION STAIR & ELEVATOR SHAFTS FLOORS 1, 2, & 3 2 HR. FIRE RATING UL DESIGN NO. U905
W9		8" CMU BLOCK - LIGHTWEIGHT FULL HEIGHT 2x4 WD. STUDS @ 16" O.C. 5/8" GYP. BD. EA. SIDE OR CONCRETE BD. AS REQ'D *FINISH SCHEDULE FOR LOCATIONS PLUMBING CHASE @ STAIR & ELEVATOR SHAFTS FLOORS 1, 2, & 3 2 HR. FIRE RATING UL DESIGN NO. U905
W10		8" CMU BLOCK - LIGHTWEIGHT FULL HEIGHT 3/4" FURRING STRIPS @ 24" O.C. 7/16" ORIENTED STRAND BOARD (OSB) SHEATHING WATER RESISTIVE BARRIER FIBER CEMENT SIDING *TYPICAL EXTERIOR WALL STAIR #1 AT FIRST, SECOND & THIRD FLOORS
W11		CMU BLOCK - LIGHTWEIGHT FULL HEIGHT THICKNESS VARIES-SEE FLOOR PLANS 1" AIR SPACE 4" FACE BRICK *TYPICAL EXTERIOR WALL AT GARAGE LEVEL
W12		CMU BLOCK - LIGHTWEIGHT FULL HEIGHT 1" AIR SPACE 4" FACE BRICK 2x4 STUDS @ 24" O.C. 5/8" GYP. BD. 3" FIBERGLAS BATT INSULATION *TYPICAL EXTERIOR WALL AT ENTRANCE LOBBY LEVEL

GALLOWAY CREEK CONDOMINIUMS

1414 BURKE ROAD
BOWLEYS QUARTERS-GALLOWAY CREEK
BALTIMORE COUNTY, MARYLAND

CONTENT:
SLAB PLAN,
WALL SCHEDULE
& DETAILS

NO.	DATE	ISSUE

DATE: 8/20/18
SCALE: AS NOTED
PROJECT NO.: 150101
A-1.0
SHEET 3 OF 19